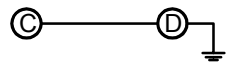
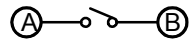
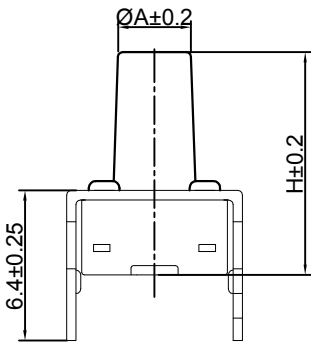
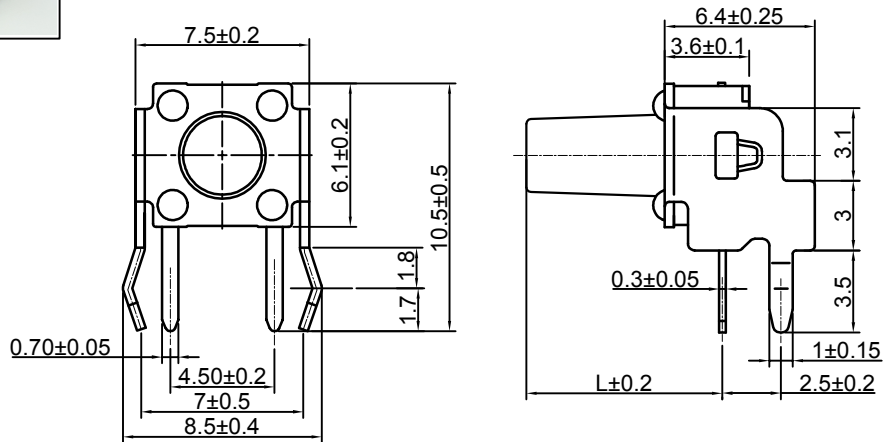


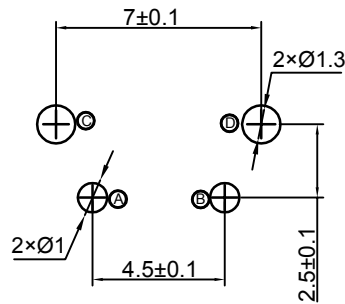
Switch drawings

Dimensional tolerance is $\pm 0.2\text{mm}$

Number Description

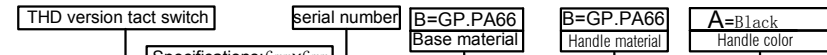


CIRCUIT DIAGRAM



P.C.B. LAYOUT

H	7	7.3	7.5	8	8.5	8.8	9	9.5	9.7
A	3.2	3.2	3.2	3.2	3.2	3.1	3.1	3.2	3.1
L	5.85	6.15	6.35	6.85	7.35	7.65	7.85	8.35	8.55
H	9.9	10	10.3	10.5	11	11.5	12	12.5	
A	3.2	3.2	3.2	3	3.1	3.2	3.2	3.1	
L	8.75	8.85	9.15	9.35	9.85	10.35	10.85	11.35	



TSA06241-□□□□□□□□

Switch height (mm)	
070=7.0	100=10.0
073=7.3	103=10.3
075=7.5	105=10.5
080=8.0	110=11.0
085=8.5	115=11.5
088=8.8	120=12.0
090=9.0	125=12.5
095=9.5	
097=9.7	
099=9.9	

Strength (lifespan)
3=160gf

Cover (Salt spray time)
1=Stainless Steel with Silver cladding

Contact
3=SUS silvering

SPECIFICATIONS

Function:	Momentary action
Contact Arrangement:	SPST, Normally Open
Termination:	THD version

Environmental

Operating Temperature:	-25~+70°C
Relative Humidity:	(40°C) ≤70%

Electrical

Contact Rating:	50mA 12V DC
Dielectric Strength:	250VAC /1min
Contact Resistance:	100mΩMax.
Insulation Resistance:	100MΩMin.
Travel:	0.25±0.1mm

Mechanical

Actuation Force:	Optional
Life Expectancy:	Optional

Materials

1.Terminal:	Optional
2. Holder:	Optional
3. Contact:	Optional
4. Stem:	Optional
5. Cover:	Optional

