

Push Latch Switch

P/N:PR-11



Professional Manufacturer Since 2000

Mechanical

Actuation Force: 400 ~ 600gf
 Life Expectancy: 15,000 Operations

Environmental

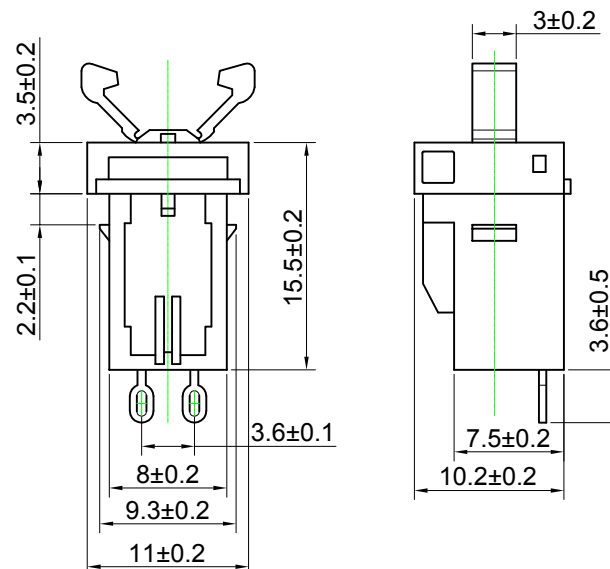
Operating Temperature: -25 ~ +70°C
 Relative Humidity: (40°C) ≤ 95%RH

Materials

4. Y-shape Key: Black GP.PA66
 3. spring: stainless steel wire
 2. pothook: Black POM
 1. shell: Black GP.PC

Packaging

Bulk Package: Plastic bag
 Inner Package: Carton
 Outer Package: Carton



KHON® WENZHOU KHAN ELECTRONIC

VERSION		PROJECTION	DESIGNED	JiaCheng Yu
KH14FE22E			CHECKED	ShuQing Zhu
SCALE	SIZE	Dimensions are shown:mm(inches)	APPROVED	Johan Xu
5:1	A4		2024.07.31	