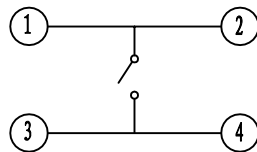
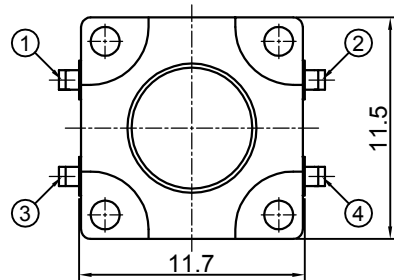
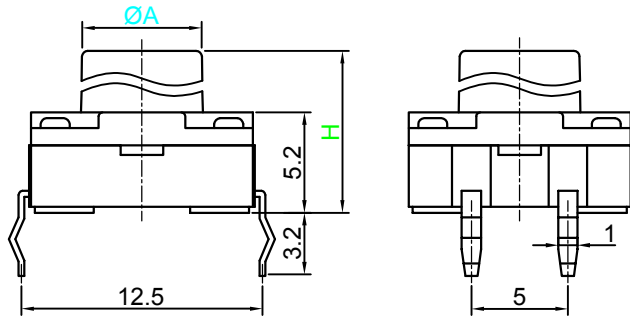




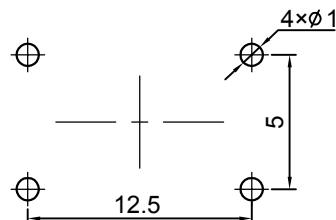
## Switch drawings

Dimensional tolerance is ± 0.2mm

## Number Description

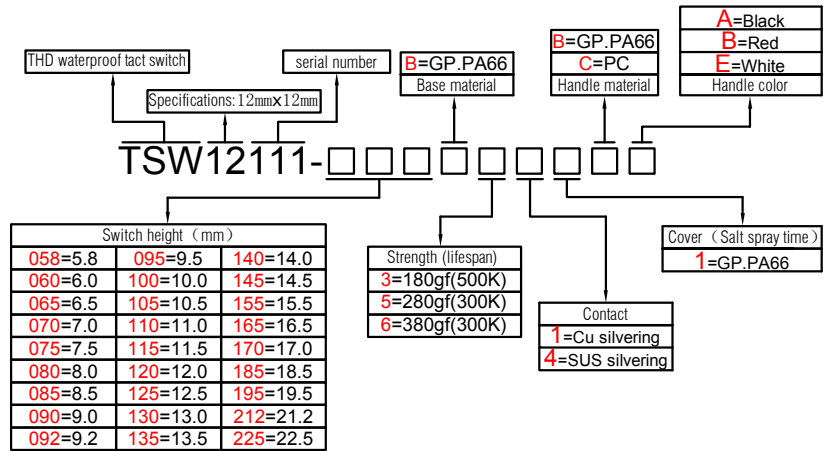


CIRCUIT DIAGRAM



P.C.B. LAYOUT

H	5.8	6	6.5	7	7.5	8	8.5	9	9.2
A	6.4	6.4	6.4	6.4	6.4	6.2	6.3	6.2	6.3
H	9.5	10	10.5	11	11.5	12	12.5	13	13.5
A	6.3	6.3	6.2	6.2	6.3	6.2	6.2	6.2	6.2
H	14	14.5	15.5	16.5	17	18.5	19.5	21.2	22.5
A	6.2	6.2	6.2	6.2	6.2	6.1	3.1	6.1	6.1



## SPECIFICATIONS

Function:	Momentary action
Contact Arrangement:	SPST, Normally Open
Termination:	THD waterproof

## Environmental

Operating Temperature:	-25 ~ +70 °C
Relative Humidity:	(40 °C) ≤95%

## Electrical

Contact Rating:	50mA 12V DC
Dielectric Strength:	250VAC /1min
Contact Resistance:	100mΩMax.
Insulation Resistance:	100MΩMin.
Travel:	0.25±0.1mm
Sealing:	IP67

## Mechanical

Actuation Force:	Optional
Life Expectancy:	Optional

## Materials

1.Stem:	Optional
2.Cover:	Optional
3.Washer:	Nonoptional
4.Waterproof membrane:	Nonoptional
5.Inner Stem:	Nonoptional
6.Contact:	Optional
7.Holder:	Optional
8.Terminal:	Ag plating Au plating

