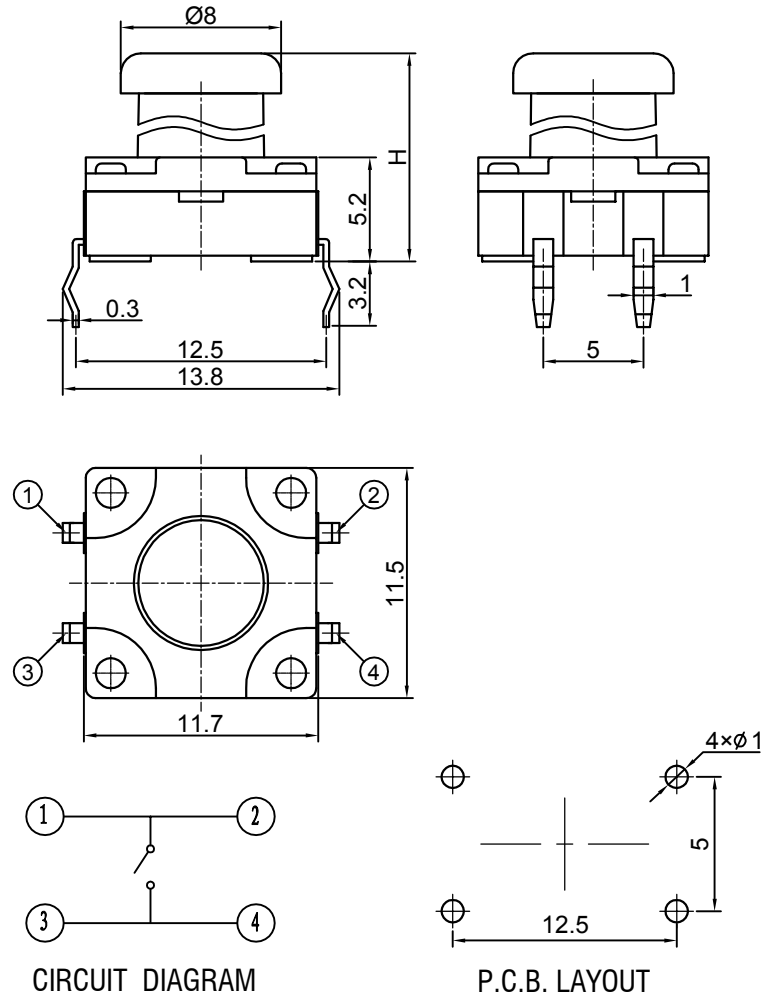




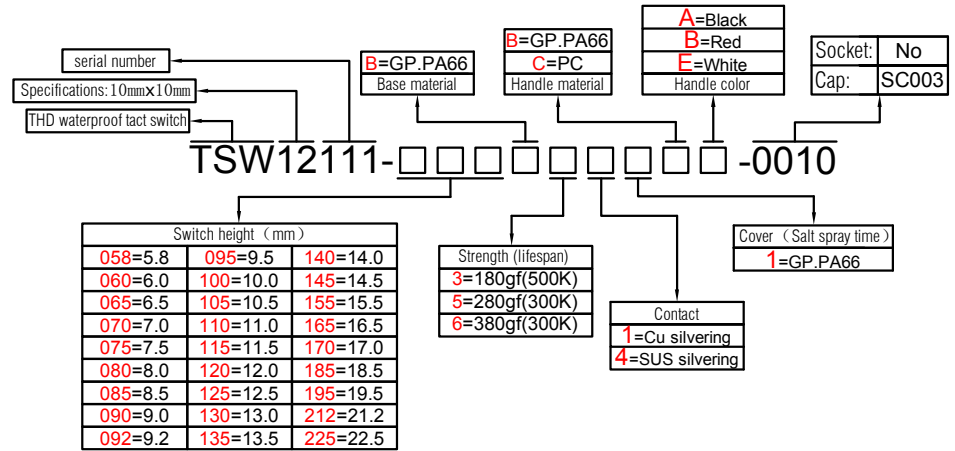
Switch drawings

Dimensional tolerance is ± 0.2mm



H	7	7.5	8	8.5	9	9.2	9.5	10
H	10.5	11	11.5	12	12.5	13	13.5	14
H	14.5	15.5	16.5	17	18.5	19.5	21.2	22.5

Number Description



SPECIFICATIONS	
Funtion:	Momentary action
Contact Arrangement:	SPST, Normally Open
Termination:	THD waterproof
Environmental	
Operating Temperature:	-25 ~ +70 °C
Relative Humidity:	(40 °C) ≤95%
Electrical	
Contact Rating:	50mA 12V DC
Dielectric Strength:	250VAC /1min
Contact Resistance:	100mΩMax.
Insulation Resistance:	100MΩMin.
Travel:	0.35±0.1mm
Sealing:	IP67
Mechanical	
Actuation Force:	Optional
Life Expectancy:	Optional

Materials	
1.Cap:	Nonoptional
2.Stem:	Optional
3.Cover:	Optional
4.Washer:	Nonoptional
5.Waterproof membrane:	Nonoptional
6.Inner Stem:	Nonoptional
7.Contact:	Optional
8.Holder:	Optional
9.Terminal:	Ag plating Au plating

