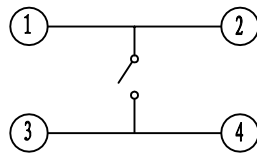
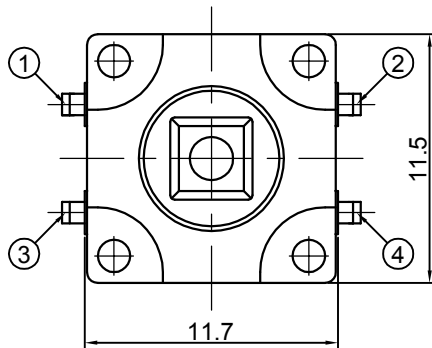
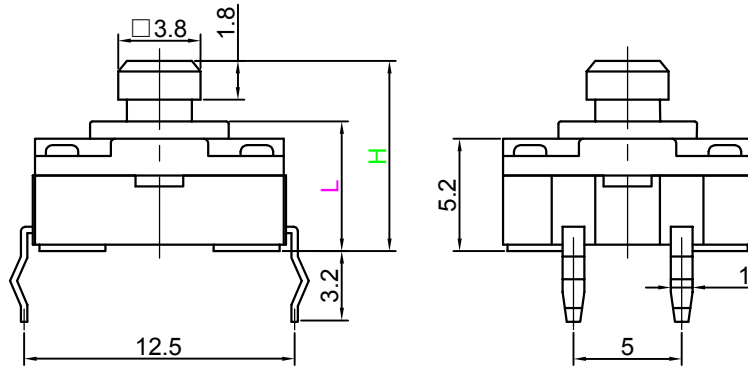




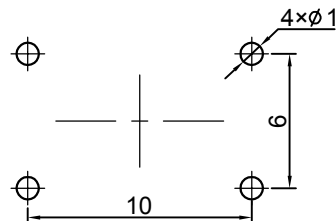
Switch drawings

Dimensional tolerance is ± 0.2mm

Number Description

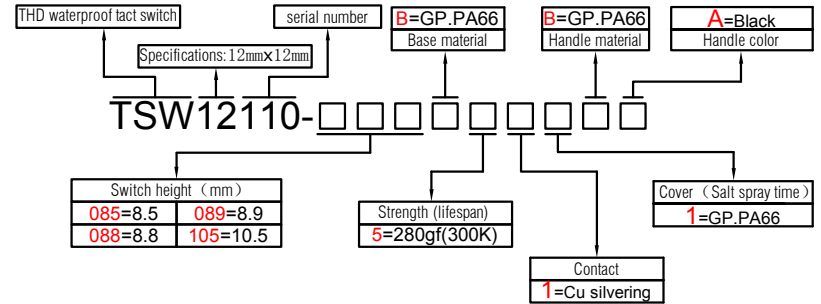


CIRCUIT DIAGRAM



P.C.B. LAYOUT

H	8.5	8.8	8.9	10.5
L	5.7	6	6.1	7.7



SPECIFICATIONS

Funtion:	Momentary action
Contact Arrangement:	SPST, Normally Open
Termination:	THD waterproof

Environmental

Operating Temperature:	-25 ~ +70℃
Relative Humidity:	(40℃) ≤95%

Electrical

Contact Rating:	50mA 12V DC
Dielectric Strength:	250VAC /1min
Contact Resistance:	100mΩMax.
Insulation Resistance:	100MΩMin.
Travel:	0.35±0.1mm
Sealing:	IP67

Mechanical

Actuation Force:	Optional
Life Expectancy:	Optional

Materials

1.Stem:	Optional
2.Cover:	Optional
3.Washer:	Nonoptional
4.Waterproof membrane:	Nonoptional
5.Inner Stem:	Nonoptional
6.Contact:	Optional
7.Holder:	Optional
8.Terminal:	Ag plating Au plating

