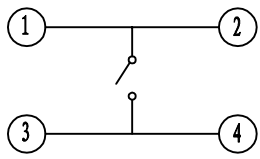
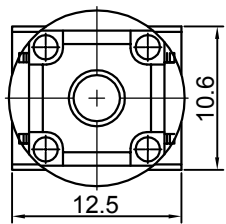
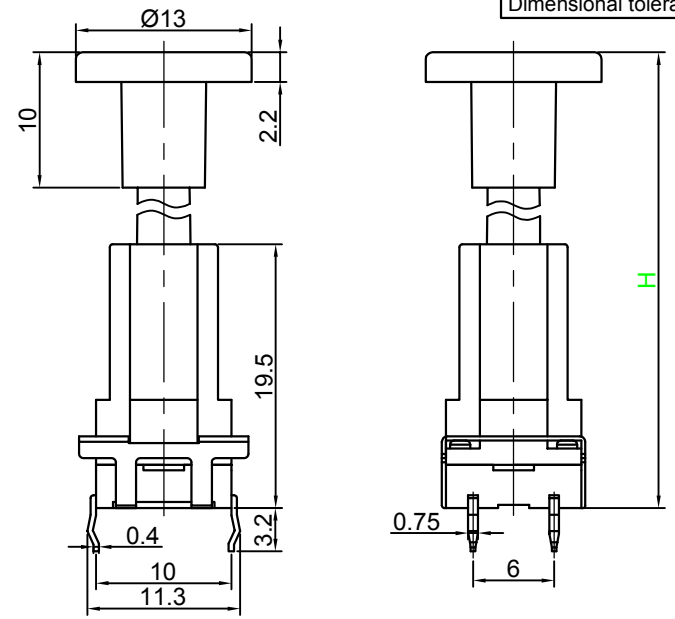


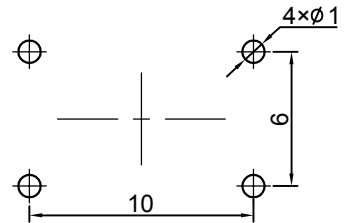


Switch drawings

Dimensional tolerance is ± 0.2mm



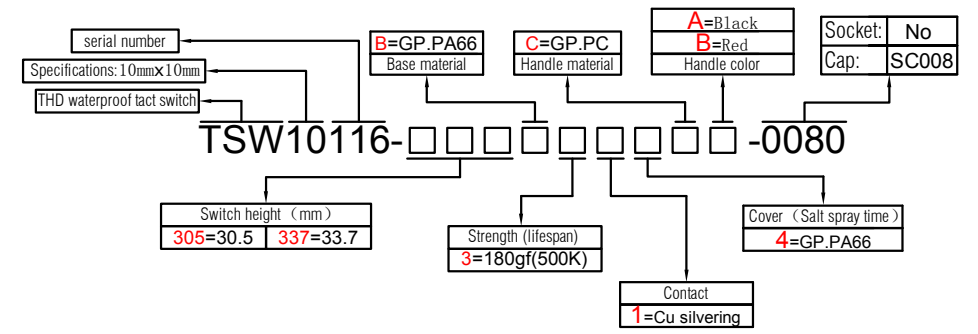
CIRCUIT DIAGRAM



P.C.B. LAYOUT

H	30.5	33.7
---	------	------

Number Description



SPECIFICATIONS	
Funtion:	Momentary action
Contact Arrangement:	SPST, Normally Open
Termination:	THD waterproof
Environmental	
Operating Temperature:	-25~+70℃
Relative Humidity:	(40℃) ≤95%
Electrical	
Contact Rating:	50mA 12V DC
Dielectric Strength:	250VAC /1min
Contact Resistance:	100mΩMax.
Insulation Resistance:	100MΩMin.
Travel:	0.35±0.1mm
Sealing:	IP67
Mechanical	
Actuation Force:	Optional
Life Expectancy:	Optional

Materials	
1.Cap:	Nonoptional
2.Bracket:	Nonoptional
3.Stem:	Optional
4.Cover:	Optional
5.Washer:	Nonoptional
6.Waterproof membrane:	Nonoptional
7.Inner Stem:	Nonoptional
8.Contact:	Optional
9.Holder:	Optional
10.Terminal:	Ag plating Au plating

