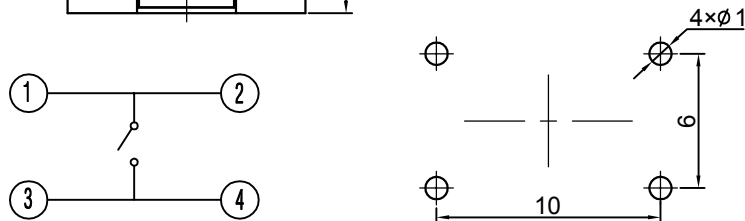
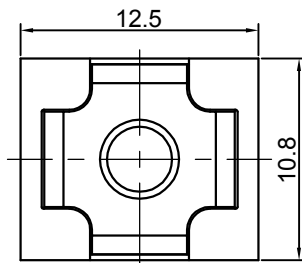
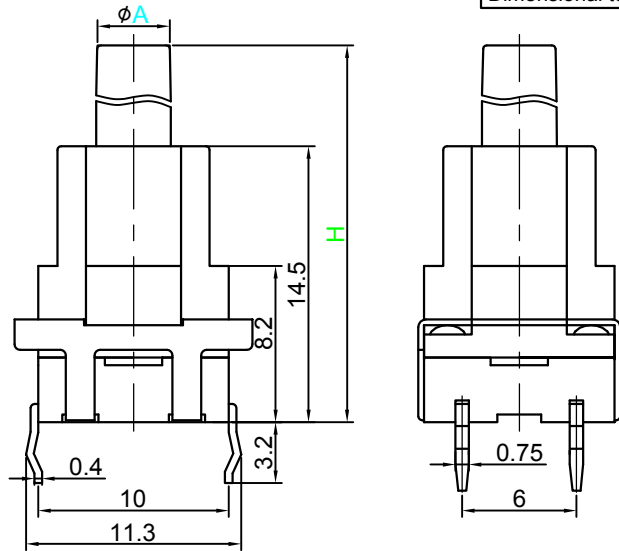




## Switch drawings

Dimensional tolerance is ± 0.2mm

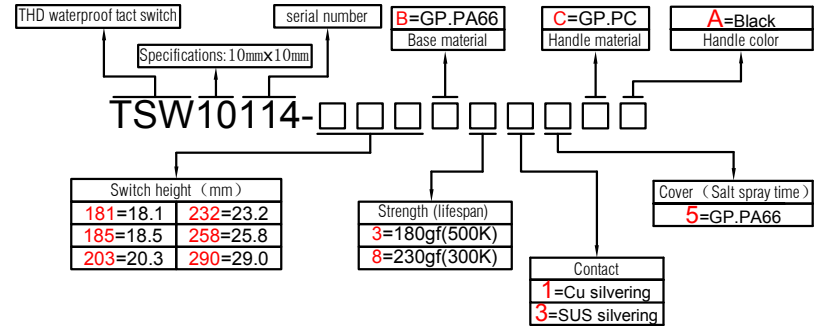


CIRCUIT DIAGRAM

P.C.B. LAYOUT

<b>H</b>	18.1	18.5	20.3	23.2	25.8	29
<b>A</b>	3.7	3.7	3.7	3.7	3.8	3.7

## Number Description



## SPECIFICATIONS

Funtion:	Momentary action
Contact Arrangement:	SPST, Normally Open
Termination:	THD waterproof

## Environmental

Operating Temperature:	-25 ~ +70 °C
Relative Humidity:	(40 °C) ≤95%

## Electrical

Contact Rating:	50mA 12V DC
Dielectric Strength:	250VAC /1min
Contact Resistance:	100mΩMax.
Insulation Resistance:	100MΩMin.
Travel:	0.35±0.1mm
Sealing:	IP67

## Mechanical

Actuation Force:	Optional
Life Expectancy:	Optional

## Materials

1.Bracket:	Nonoptional
2.Stem:	Optional
3.Cover:	Optional
4.Washer:	Nonoptional
5.Waterproof membrane:	Nonoptional
6.Inner Stem:	Nonoptional
7.Contact:	Optional
8.Holder:	Optional
9.Terminal:	Ag plating Au plating

