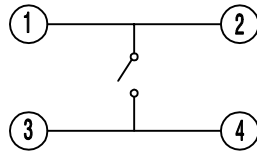
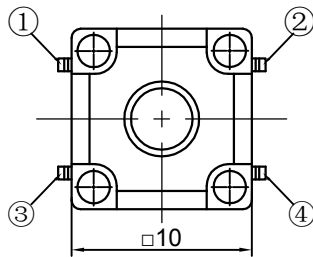
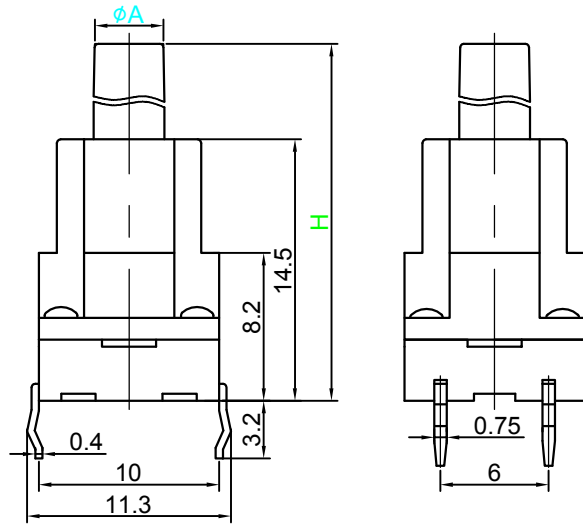


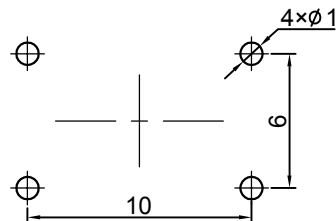


## Switch drawings

Dimensional tolerance is ± 0.2mm



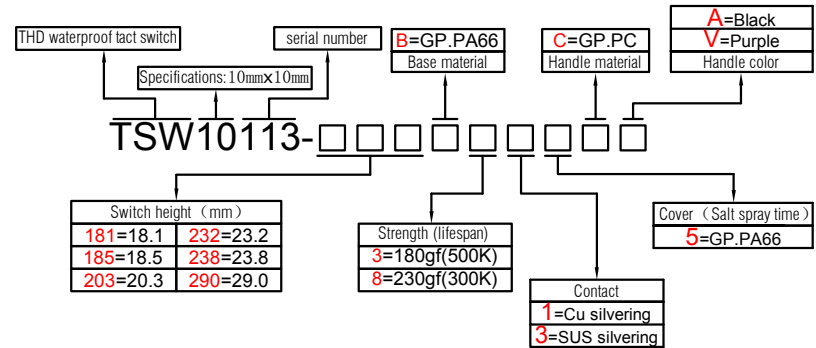
CIRCUIT DIAGRAM



P.C.B. LAYOUT

H	18.1	18.5	20.3	23.2	23.8	29
A	3.7	3.7	3.7	3.7	3.8	3.7

## Number Description



## SPECIFICATIONS

Funtion:	Momentary action
Contact Arrangement:	SPST, Normally Open
Termination:	THD waterproof

## Environmental

Operating Temperature:	-25~+70℃
Relative Humidity:	(40℃) ≤95%

## Electrical

Contact Rating:	50mA 12V DC
Dielectric Strength:	250VAC /1min
Contact Resistance:	100mΩMax.
Insulation Resistance:	100MΩMin.
Travel:	0.35±0.1mm
Sealing:	IP67

## Mechanical

Actuation Force:	Optional
Life Expectancy:	Optional

## Materials

1.Stem:	Optional
2.Cover:	Optional
3.Washer:	Nonoptional
4.Waterproof membrane:	Nonoptional
5.Inner Stem:	Nonoptional
6.Contact:	Optional
7.Holder:	Optional
8.Terminal:	Ag plating Au plating

