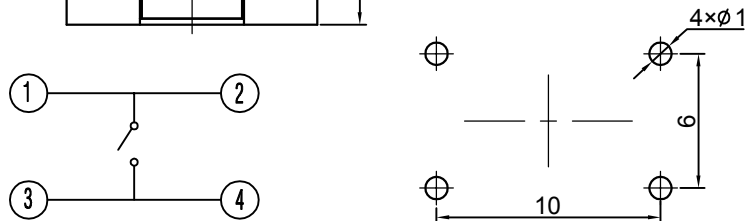
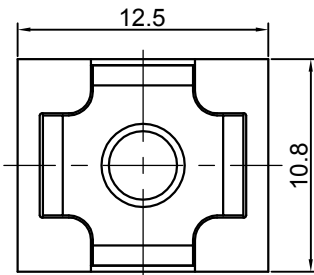
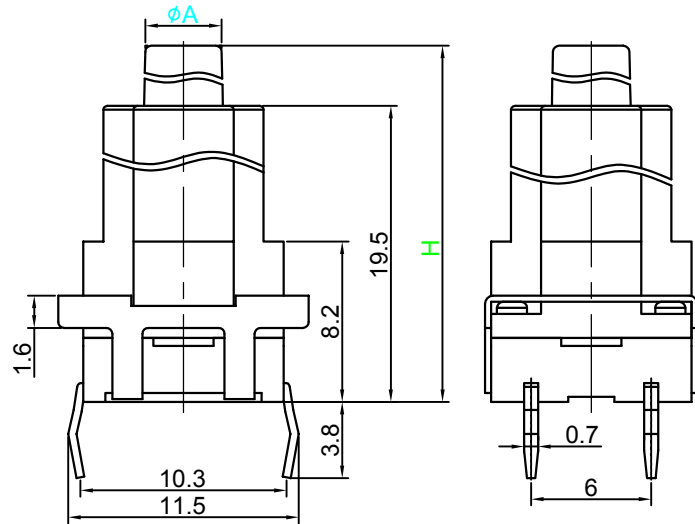


Switch drawings

Dimensional tolerance is ± 0.2mm

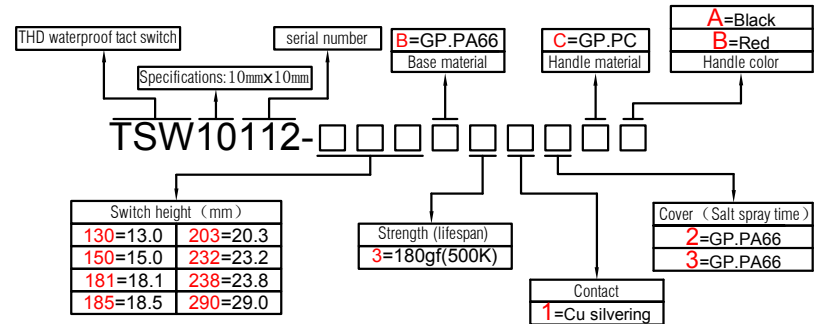


CIRCUIT DIAGRAM

P.C.B. LAYOUT

| | | | | | | | | |
|----------|-----|-----|------|------|------|------|------|-----|
| H | 13 | 15 | 18.1 | 18.5 | 20.3 | 23.2 | 23.8 | 29 |
| A | 3.8 | 3.8 | 3.7 | 3.7 | 3.7 | 3.7 | 3.8 | 3.7 |

Number Description



SPECIFICATIONS

| | |
|----------------------|---------------------|
| Funtion: | Momentary action |
| Contact Arrangement: | SPST, Normally Open |
| Termination: | THD waterproof |

Environmental

| | |
|------------------------|--------------|
| Operating Temperature: | -25 ~ +70 °C |
| Relative Humidity: | (40 °C) ≤95% |

Electrical

| | |
|------------------------|--------------|
| Contact Rating: | 50mA 12V DC |
| Dielectric Strength: | 250VAC /1min |
| Contact Resistance: | 100mΩMax. |
| Insulation Resistance: | 100MΩMin. |
| Travel: | 0.35±0.1mm |
| Sealing: | IP67 |

Mechanical

| | |
|------------------|----------|
| Actuation Force: | Optional |
| Life Expectancy: | Optional |

Materials

| | |
|------------------------|--------------------------|
| 1.Bracket: | Nonoptional |
| 2.Stem: | Optional |
| 3.Cover: | Optional |
| 4.Waterproof membrane: | Nonoptional |
| 5.Inner Stem: | Nonoptional |
| 6.Contact: | Optional |
| 7.Holder: | Optional |
| 8.Terminal: | Ag plating Au plating |

