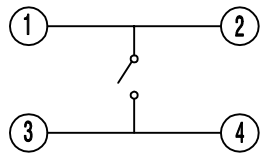
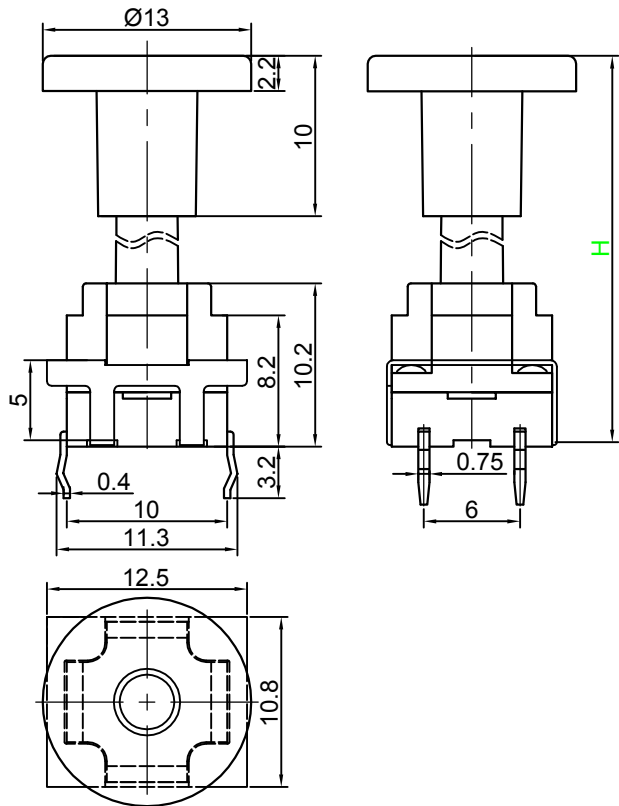


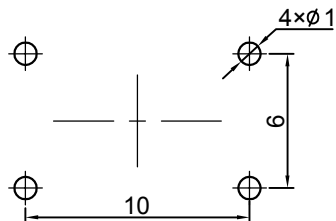


Switch drawings

Dimensional tolerance is ± 0.2mm



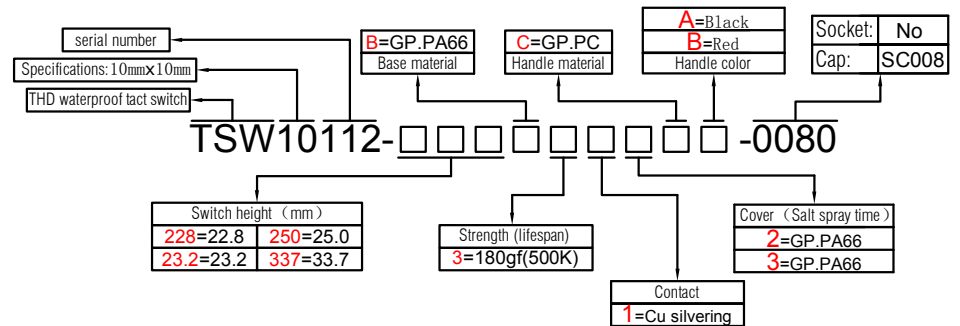
CIRCUIT DIAGRAM



P.C.B. LAYOUT

H	22.8	23.2	25	33.7
---	------	------	----	------

Number Description



SPECIFICATIONS

Funtion:	Momentary action
Contact Arrangement:	SPST, Normally Open
Termination:	THD waterproof

Environmental

Operating Temperature:	-25 ~ +70 °C
Relative Humidity:	(40 °C) ≤95%

Electrical

Contact Rating:	50mA 12V DC
Dielectric Strength:	250VAC /1min
Contact Resistance:	100mΩMax.
Insulation Resistance:	100MΩMin.
Travel:	0.35±0.1mm
Sealing:	IP67

Mechanical

Actuation Force:	Optional
Life Expectancy:	Optional

Materials

1.Cap:	Nonoptional
2.Bracket:	Nonoptional
3.Stem:	Optional
4.Cover:	Optional
5.Washer:	Nonoptional
6.Waterproof membrane:	Nonoptional
7.Inner Stem:	Nonoptional
8.Contact:	Optional
9.Holder:	Optional
10.Terminal:	Ag plating Au plating

