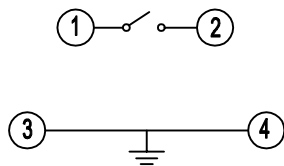
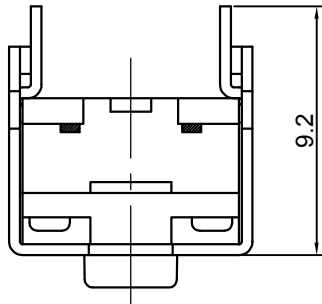
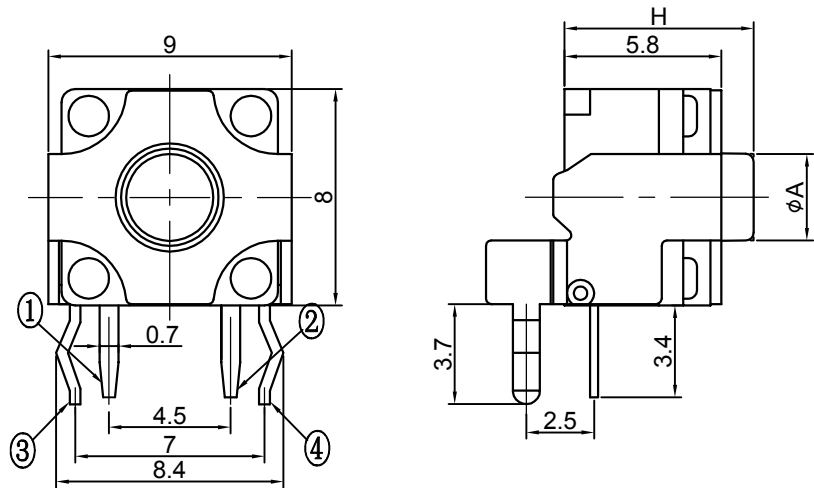
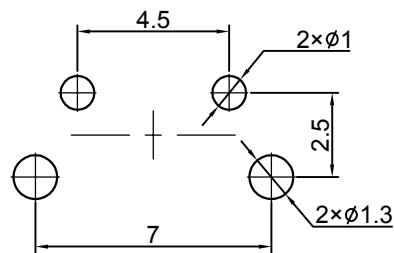


Switch drawings

Dimensional tolerance is ± 0.2mm



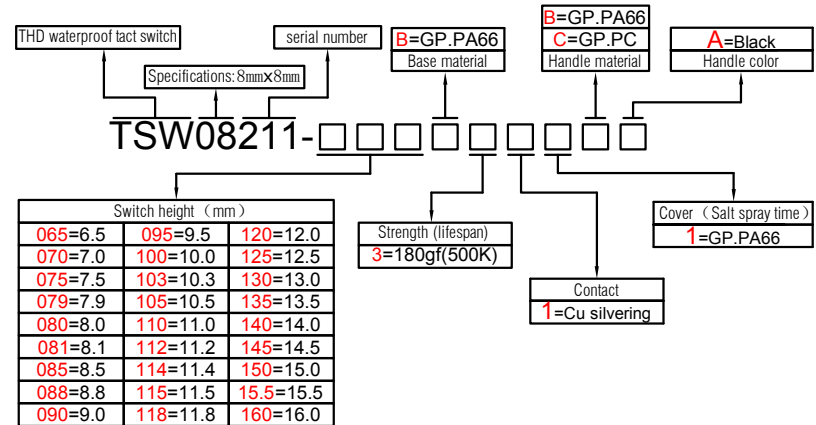
CIRCUIT DIAGRAM



P.C.B. LAYOUT

H	6.5	7	7.5	7.9	8	8.1	8.5	8.8	9
A	3.5	3.2	3.2	3	3.2	3.1	3.2	3.2	3.2
H	9.5	10	10.3	10.5	11	11.2	11.4	11.5	11.8
A	3.2	3.2	3.1	3.1	3.1	3.1	3.2	3.2	3.2
H	12	12.5	13	13.5	14	14.5	15	15.5	16
A	3	3.1	3.2	3.2	3.1	3.2	3	3.2	3.1

Number Description



SPECIFICATIONS

Function:	Momentary action
Contact Arrangement:	SPST, Normally Open
Termination:	THD waterproof

Environmental

Operating Temperature:	-25~+70℃
Relative Humidity:	(40℃) ≤95%

Electrical

Contact Rating:	50mA 12V DC
Dielectric Strength:	250VAC /1min
Contact Resistance:	100mΩMax.
Insulation Resistance:	100MΩMin.
Travel:	0.35±0.1mm
Sealing:	IP67

Mechanical

Actuation Force:	Optional
Life Expectancy:	Optional

Materials

1.Bracket:	Nonoptional
2.Stem:	Optional
3.Cover:	Optional
4.Washer:	Nonoptional
5.Waterproof membrane:	Nonoptional
6.Inner Stem:	Nonoptional
7.Contact:	Optional
8.Holder:	Optional
9.Terminal:	Ag plating Au plating

