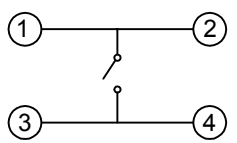
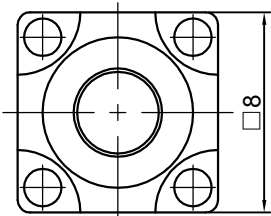
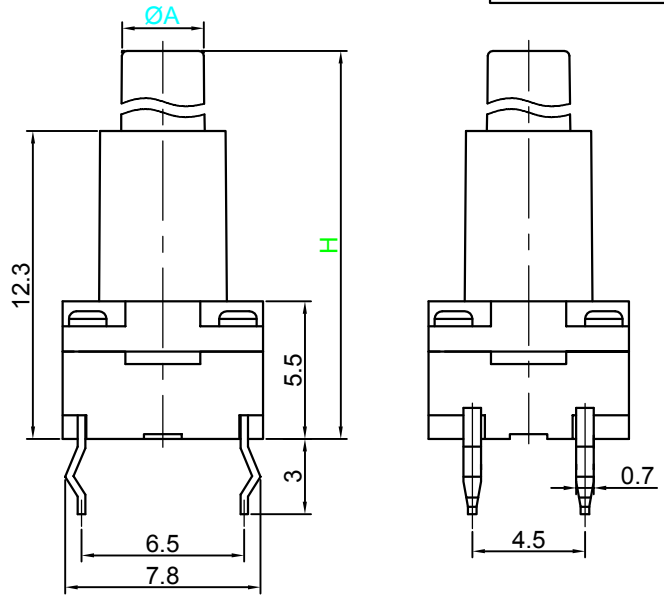


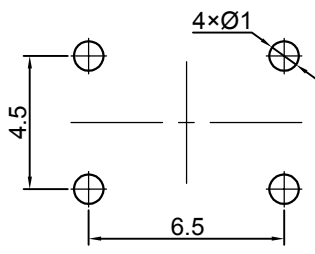


Switch drawings

Dimensional tolerance is ± 0.2mm



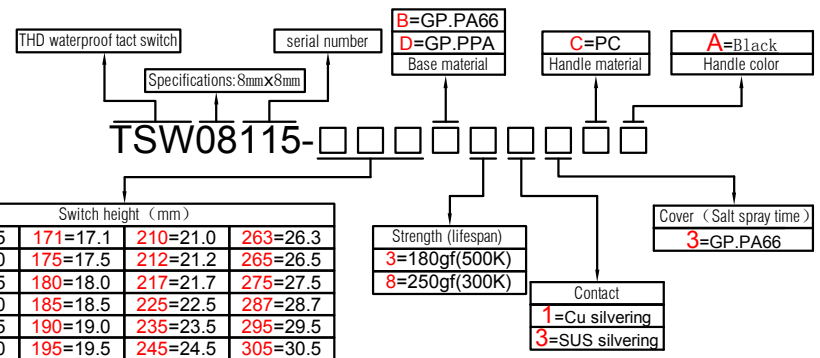
CIRCUIT DIAGRAM



P.C.B. LAYOUT

H	13.5	14	14.5	15	15.5	16	16.5	17
A	3.2	3.1	3.2	3	3.2	3.1	3.1	3.2
H	17.1	17.5	18	18.5	18.5	19	19.5	20
A	3.1	3.2	3.2	3.2	2	3	3.2	3
H	20.5	21	21.2	21.7	22.5	23.5	24.5	25
A	3.1	3	3	3.2	3.1	3.2	3.1	3.2
H	26	26.3	26.5	27.5	28.7	29.5	30.5	32.5
A	3	3.1	3	3.2	3	2.9	3	3.1

Number Description



Switch height (mm)			
135=13.5	171=17.1	210=21.0	263=26.3
140=14.0	175=17.5	212=21.2	265=26.5
145=14.5	180=18.0	217=21.7	275=27.5
150=15.0	185=18.5	225=22.5	287=28.7
155=15.5	190=19.0	235=23.5	295=29.5
160=16.0	195=19.5	245=24.5	305=30.5
165=16.5	200=20.0	250=25.0	325=32.5
170=17.0	205=20.5	260=26.0	

SPECIFICATIONS	
Funtion:	Momentary action
Contact Arrangement:	SPST, Normally Open
Termination:	THD waterproof
Environmental	
Operating Temperature:	-25 ~ +70 °C
Relative Humidity:	(40 °C) ≤95%
Electrical	
Contact Rating:	50mA 12V DC
Dielectric Strength:	250VAC /1min
Contact Resistance:	100mΩMax.
Insulation Resistance:	100MΩMin.
Travel:	0.35±0.1mm
Sealing:	IP67
Mechanical	
Actuation Force:	Optional
Life Expectancy:	Optional

Materials	
1.Stem:	Optional
2.Cover:	Optional
3.Washer:	Nonoptional
4.Waterproof membrane:	Nonoptional
5.Inner Stem:	Nonoptional
6.Contact:	Optional
7.Holder:	Optional
8.Terminal:	Ag plating Au plating

