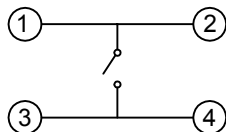
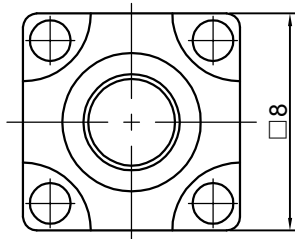
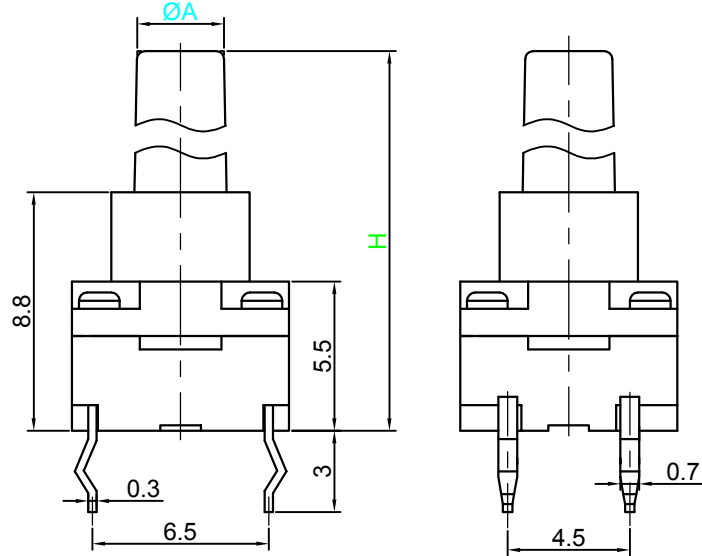


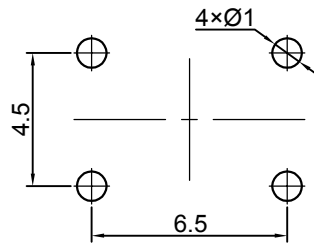


Switch drawings

Dimensional tolerance is ± 0.2mm



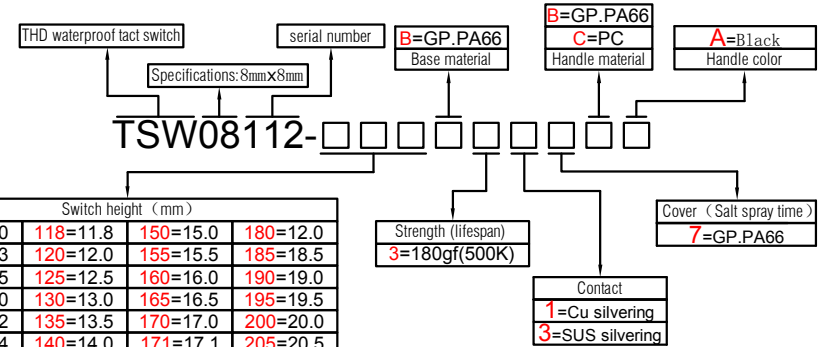
CIRCUIT DIAGRAM



P.C.B. LAYOUT

H	10	10.3	10.5	11	11.2	11.4	11.5	11.8	12	12.5
A	3.2	3.1	3.1	3.1	3.1	3.2	3.2	3.2	3	3.1
H	13	13.5	14	14.5	15	15.5	16	16.5	17	17.1
A	3.2	3.2	3.1	3.2	3	3.2	3.1	3.1	3.2	3.1
H	17.5	18	18.5	18.5	19	19.5	20	20.5	21	
A	3.2	3.2	3.2	2	3	3.2	3	3.1	3	

Number Description



Switch height (mm)			
100=10.0	118=11.8	150=15.0	180=12.0
103=10.3	120=12.0	155=15.5	185=18.5
105=10.5	125=12.5	160=16.0	190=19.0
110=11.0	130=13.0	165=16.5	195=19.5
112=11.2	135=13.5	170=17.0	200=20.0
114=11.4	140=14.0	171=17.1	205=20.5
115=11.5	145=14.5	175=17.5	210=21.0

SPECIFICATIONS

Funtion:	Momentary action
Contact Arrangement:	SPST, Normally Open
Termination:	THD waterproof

Environmental

Operating Temperature:	-25 ~ +70 °C
Relative Humidity:	(40 °C) ≤95%

Electrical

Contact Rating:	50mA 12V DC
Dielectric Strength:	250VAC /1min
Contact Resistance:	100mΩMax.
Insulation Resistance:	100MΩMin.
Travel:	0.3±0.1mm
Sealing:	IP67

Mechanical

Actuation Force:	Optional
Life Expectancy:	Optional

Materials

1.Stem:	Optional
2.Cover:	Optional
3.Washer:	Nonoptional
4.Waterproof membrane:	Nonoptional
5.Inner Stem:	Nonoptional
6.Contact:	Optional
7.Holder:	Optional
8.Terminal:	Ag plating Au plating

