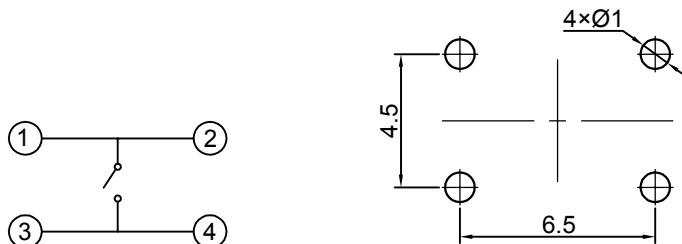
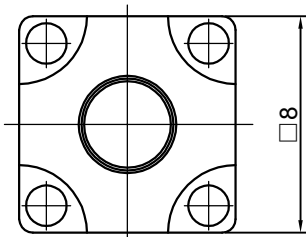
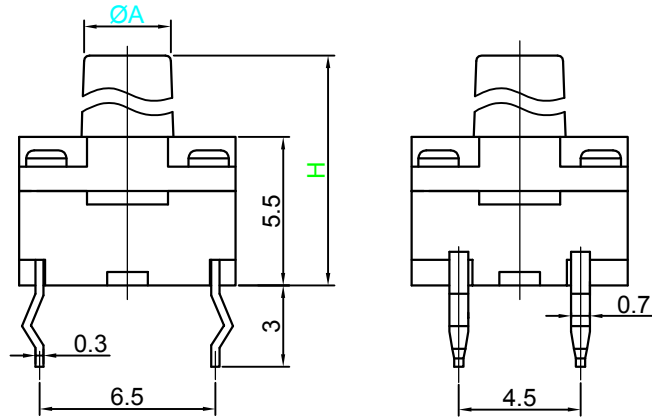


## Switch drawings

Dimensional tolerance is ± 0.2mm

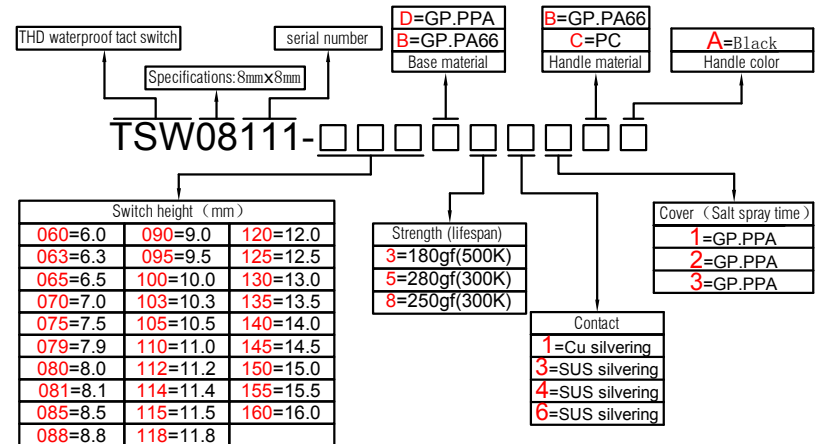


CIRCUIT DIAGRAM

P.C.B. LAYOUT

H	6	6.3	6.5	7	7.5	7.9	8	8.1	8.5	8.8
A	3.4	3.4	3.5	3.2	3.2	3	3.2	3.1	3.2	3.2
H	9	9.5	10	10.3	10.5	11	11.2	11.4	11.5	11.8
A	3.2	3.2	3.2	3.1	3.1	3.1	3.1	3.2	3.2	3.2
H	12	12.5	13	13.5	14	14.5	15	15.5	16	
A	3	3.1	3.2	3.2	3.1	3.2	3	3.2	3.1	

## Number Description



## SPECIFICATIONS

Function:	Momentary action
Contact Arrangement:	SPST, Normally Open
Termination:	THD waterproof

## Environmental

Operating Temperature:	-25 ~ +70 °C
Relative Humidity:	(40 °C) ≤95%

## Electrical

Contact Rating:	50mA 12V DC
Dielectric Strength:	250VAC /1min
Contact Resistance:	100mΩMax.
Insulation Resistance:	100MΩMin.
Travel:	0.3±0.1mm
Sealing:	IP67

## Mechanical

Actuation Force:	Optional
Life Expectancy:	Optional

## Materials

1.Stem:	Optional
2.Cover:	Optional
3.Washer:	Nonoptional
4.Waterproof membrane:	Nonoptional
5.Inner Stem:	Nonoptional
6.Contact:	Optional
7.Holder:	Optional
8.Terminal:	Ag plating Au plating

