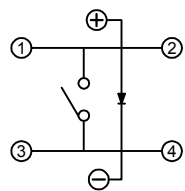
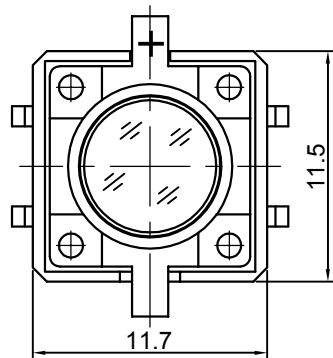
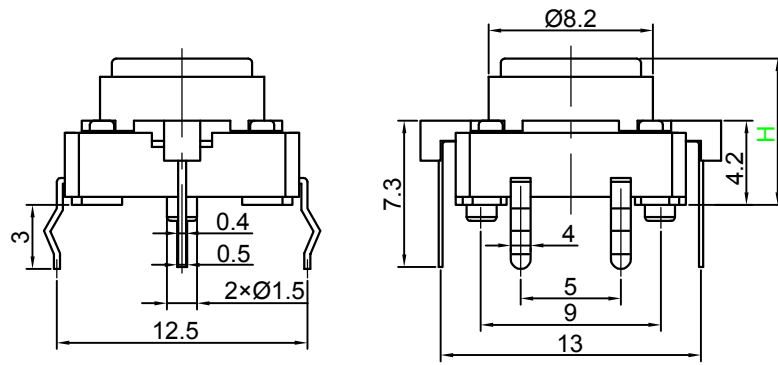


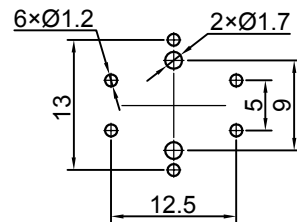


Switch drawings

Dimensional tolerance is ± 0.2mm



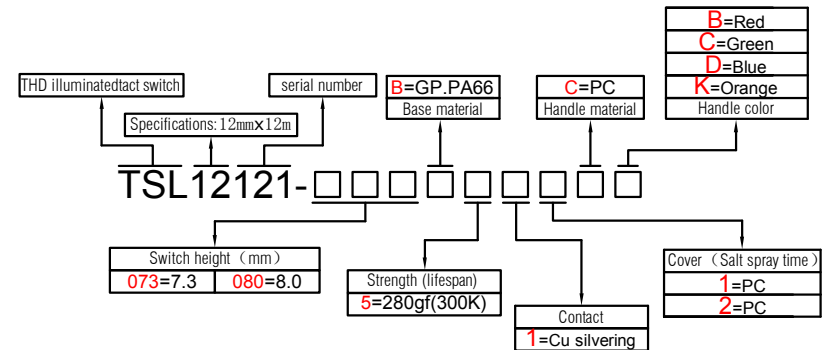
CIRCUIT DIAGRAM



P.C.B. LAYOUT

H	7.3	8
---	-----	---

Number Description



SPECIFICATIONS

Function:	Momentary action
Contact Arrangement:	SPST, Normally Open
Termination:	THD illuminated

Environmental

Operating Temperature:	-25~+70℃
Relative Humidity:	(40℃) ≤70%

Electrical

Contact Rating:	50mA 12V DC
Dielectric Strength:	250VAC /1min
Contact Resistance:	100mΩMax.
Insulation Resistance:	100MΩMin.
Travel:	0.3±0.1mm

Mechanical

Actuation Force:	Optional
Life Expectancy:	Optional

Materials

1.Cover:	Optional
2.Stem:	Optional
3.LED:	Nonoptional
4.Inner stem:	Optional
5.Contact:	Optional
6.Holder:	Optional
7.Terminal:	Ag plating Au plating

