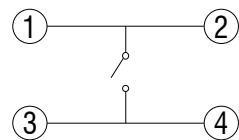
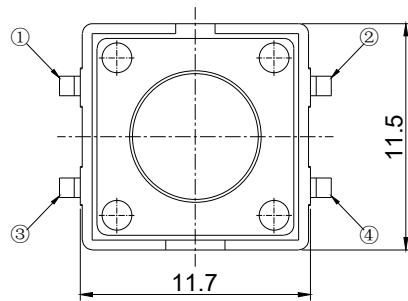
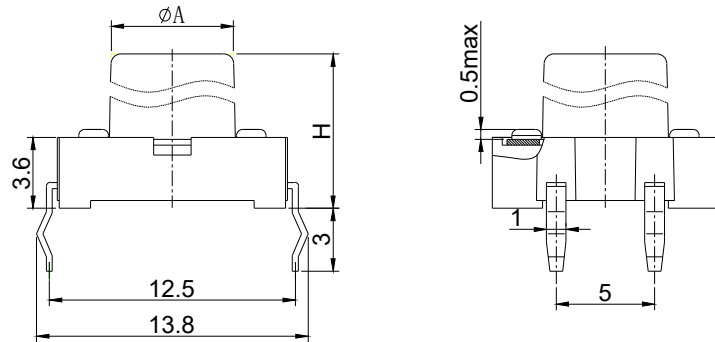


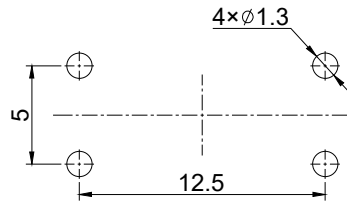


Switch drawings

Dimensional tolerance is $\pm 0.2\text{mm}$



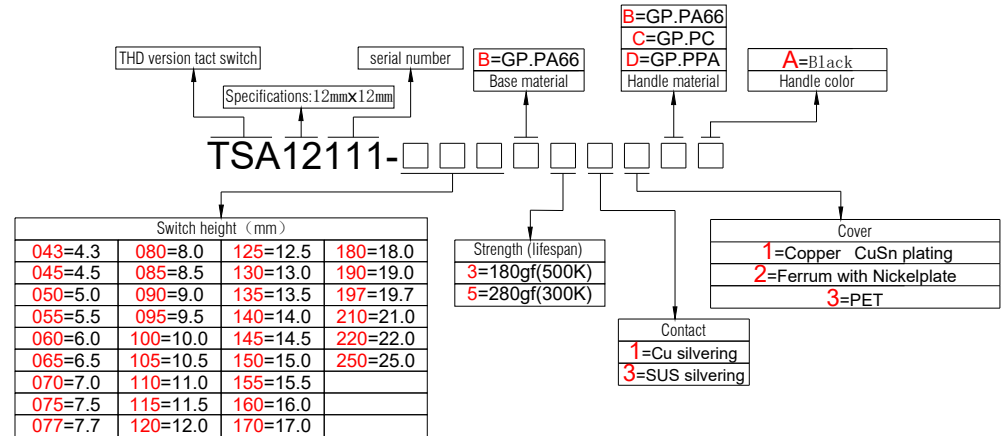
CIRCUIT DIAGRAM



P.C.B. LAYOUT

H	4.3	4.5	5	5.5	6	6.5	7	7.5	7.7	8	8.5	9	9.5	10	10.5	11	11.5
A	6.4	6.4	6.4	6.4	6.2	6.2	6.2	6.2	6.2	6.3	6.3	6.3	6.3	6.3	6.3	6.2	6.3
H	12	12.5	13	13.5	14	14.5	15	15.5	16	17	18	19	19.7	21	22	25	
A	6.2	6.1	6.2	6.1	6.1	6.0	6.1	6.2	6.1	6.1	6.1	6.1	6.0	6.1	6.1	6.1	

Number Description



SPECIFICATIONS

Function:	Momentary action
Contact Arrangement:	SPST, Normally Open
Termination:	THD version

Environmental

Operating Temperature:	-25~+70°C
Relative Humidity:	(40°C) ≤70%

Electrical

Contact Rating:	50mA 12V DC
Dielectric Strength:	250VAC /1min
Contact Resistance:	100mΩMax.
Insulation Resistance:	100MΩMin.
Travel:	0.3±0.1mm

Mechanical

Actuation Force:	Optional
Life Expectancy:	Optional

Materials

1. Cover:	Optional
2. Stem:	Optional
3. Contact:	Optional
4. Holder:	Optional
5. Terminal:	Ag plating Au plating

