



# TACT SWITCH

P/N:TSA24411



## SPECIFICATIONS

Function: Momentary action  
 Contact Arrangement: SPST, Normally Open  
 Termination: SMD version

### Mechanical

Actuation Force: 280 ± 50grams  
 Life Expectancy: 30,000 Operations

### Electrical

Contact Rating: 50mA @ 12V DC  
 Dielectric Strength: 250V AC for 1minute  
 Contact Resistance: 50mΩ Max.  
 Insulation Resistance: 100MΩ Min.  
 Travel: 0.25 ± 0.1mm

### Environmental

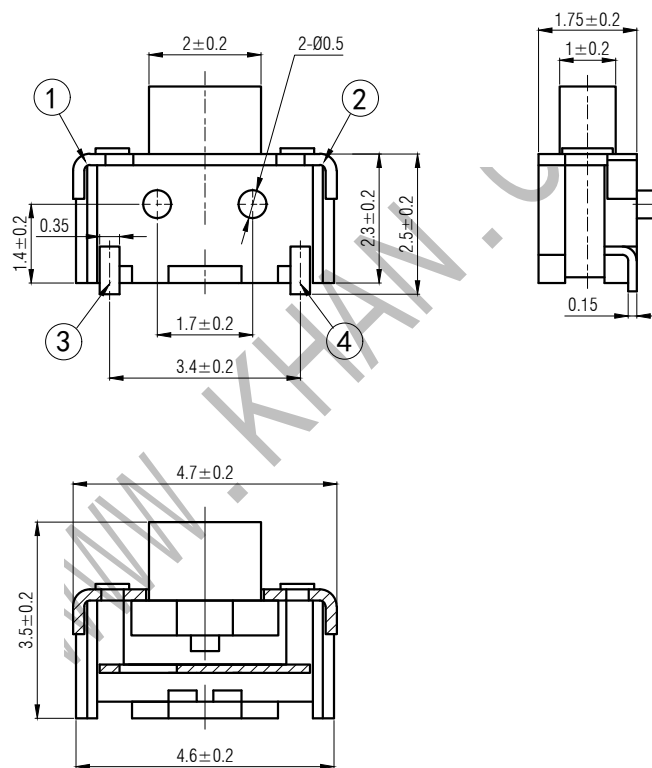
Operating Temperature: -25 ~ +70 °C  
 Relative Humidity: (40 °C) ≤ 95%

### Materials

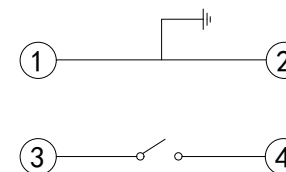
5.Stem: Black GP.PPA  
 4.Cover: Ferrum with Phos-copper cladding  
 3.Contact: Copper with Silver cladding  
 2.Holder: Black GP.PA66  
 1.Terminal: Copper (H62Y t=0.3) with Silver Cladding

### Packaging

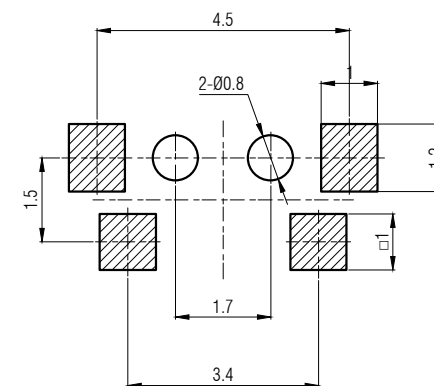
Bulk Package  
 Inner Package: Plastic bag  
 Outer Package: Carton



### CIRCUIT DIAGRAM



### P.C.B. LAYOUT



# KANGHONG ELECTRONIC

VERSION		PROJECTION	DESIGN
KH14FE22E			DRAWN
SCALE	SIZE	 Dimensions are shown:mm(inches)	APPROVAL
8:1	A4		2014.02.20