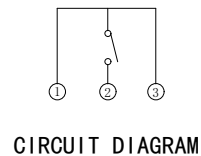
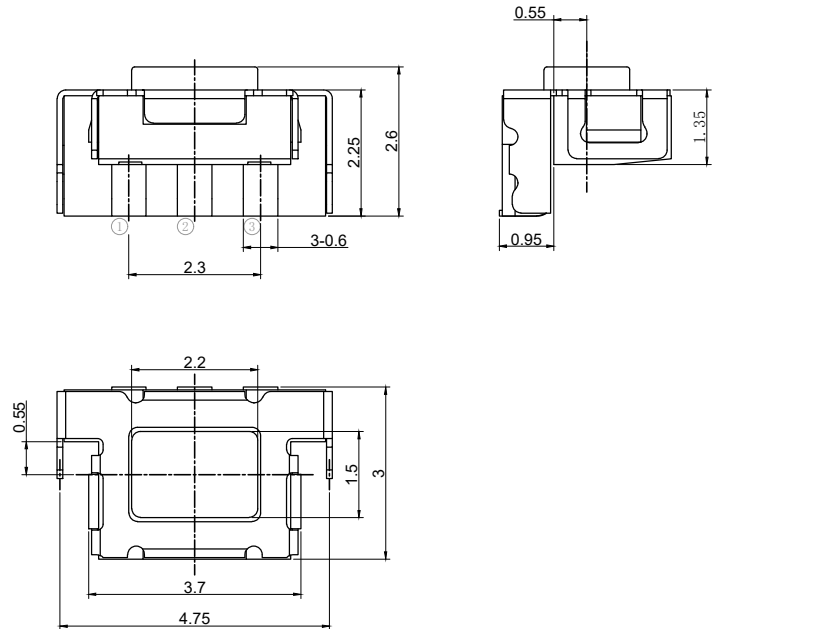
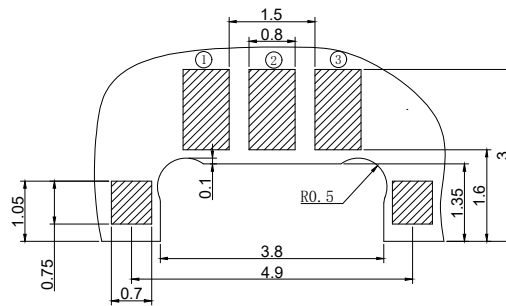


Switch drawings

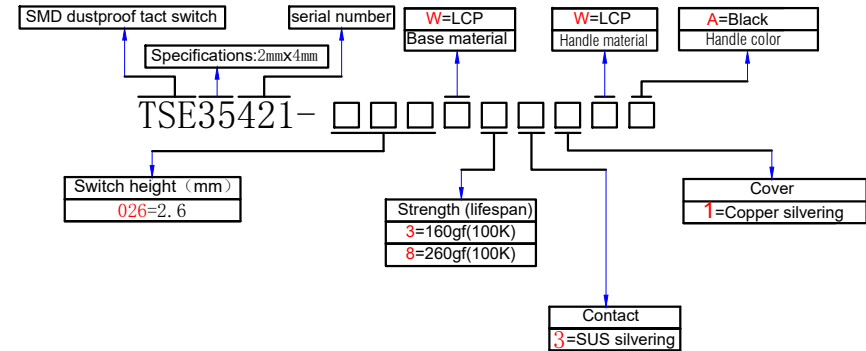
Number Description



Note: Unmarked tolerances for linear dimensions shall be in accordance with GB/T1804 level m.



P.C.B. LAYOUT



SPECIFICATIONS

Function:	Momentary action
Contact Arrangement:	SPST, Normally Open
Termination:	THD version

Environmental

Operating Temperature:	-25~+70°C
Relative Humidity:	(40°C) ≤95%

Electrical

Contact Rating:	50mA 12V DC
Dielectric Strength:	250VAC /1min
Contact Resistance:	100m Ω Max.
Insulation Resistance:	100M Ω Min.
Travel:	0.2±0.1mm
Sealing:	IP6X

Mechanical

Actuation Force:	Optional
Life Expectancy:	60K

Materials

6.Cover:	Phosphor copper plated with silver
5.Stem:	Black LCP
4.Waterproof membrane:	Polyimide
3.Spring:	Stainless steel covered with silver
2.Holder:	Black LCP
1.Terminal:	Phosphor copper plated with silver

