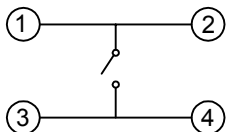
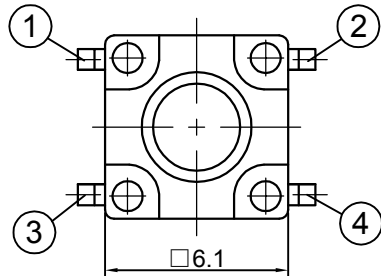
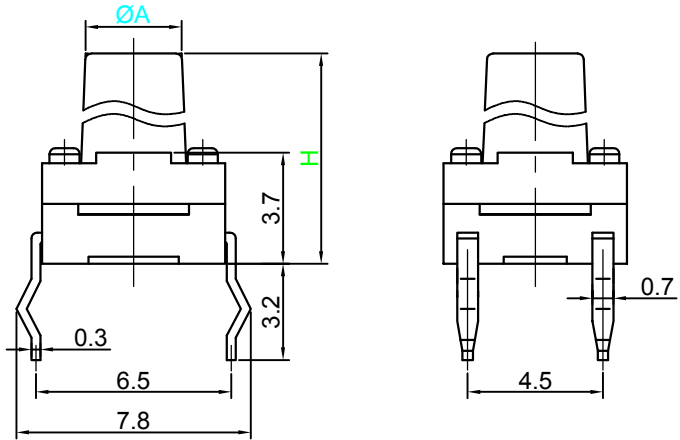


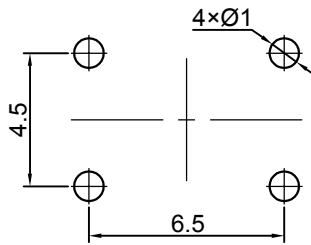


## Switch drawings

Dimensional tolerance is ± 0.2mm



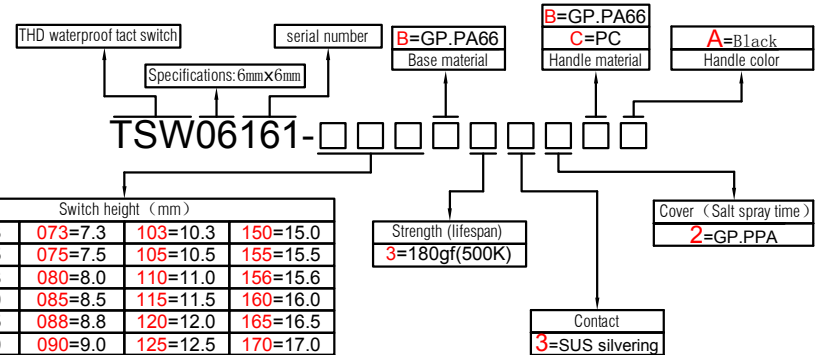
CIRCUIT DIAGRAM



P.C.B. LAYOUT

H	4.3	4.5	4.8	5	5.5	6	6.4	6.5	6.6	7	7.3	7.5	8	8.5
A	3.2	3.2	3	3.2	3.1	3.2	3.2	3.2	3.2	3.1	3.2	3.2	3.2	3.2
H	8.8	9	9.5	9.7	9.9	10	10.3	10.5	11	11.5	12	12.5	13	13.5
A	3.2	3.1	3.1	3.1	3.1	3.2	3.2	3.2	3	3.1	3.2	3.2	3.2	3
H	14	14.5	15	15.5	15.6	16	16.5	17	17.5	18	18.5	19		
A	3.2	3.1	3.1	3.1	3.1	3.2	3.2	3.2	3	3.1	3.2	3.2		

## Number Description



043=4.3	073=7.3	103=10.3	150=15.0
045=4.5	075=7.5	105=10.5	155=15.5
048=4.8	080=8.0	110=11.0	156=15.6
050=5.0	085=8.5	115=11.5	160=16.0
055=5.5	088=8.8	120=12.0	165=16.5
060=6.0	090=9.0	125=12.5	170=17.0
064=6.4	095=9.5	130=13.0	175=17.5
065=6.5	097=9.7	135=13.5	180=18.0
066=6.6	099=9.9	140=14.0	185=18.5
070=7.0	100=10.0	145=14.5	190=19.0

SPECIFICATIONS	
Function:	Momentary action
Contact Arrangement:	SPST, Normally Open
Termination:	THD waterproof
Environmental	
Operating Temperature:	-25 ~ +70 °C
Relative Humidity:	(40 °C) ≤95%
Electrical	
Contact Rating:	50mA 12V DC
Dielectric Strength:	250VAC /1min
Contact Resistance:	100mΩMax.
Insulation Resistance:	100MΩMin.
Travel:	0.3±0.1mm
Mechanical	
Actuation Force:	Optional
Life Expectancy:	Optional

Materials	
1.Stem:	Optional
2.Cover:	Optional
3.Washer:	Nonoptional
4.Waterproof membrane:	Nonoptional
5.Contact:	Optional
6.Holder:	Optional
7.Terminal:	Ag plating Au plating

