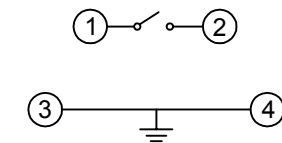
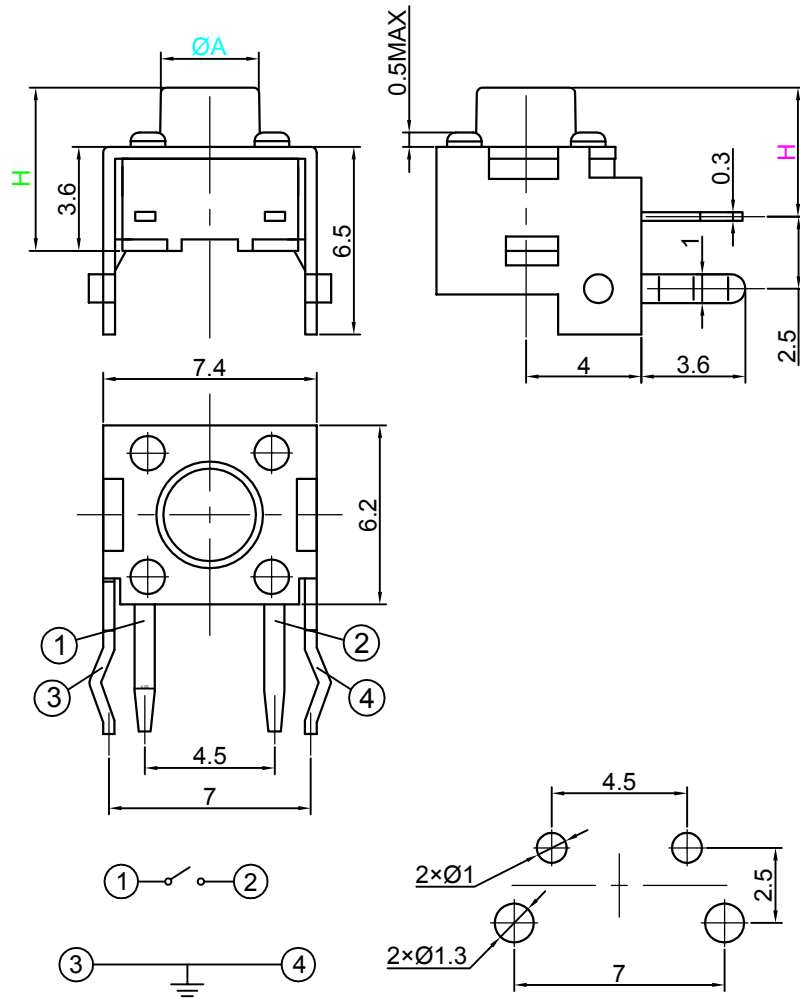


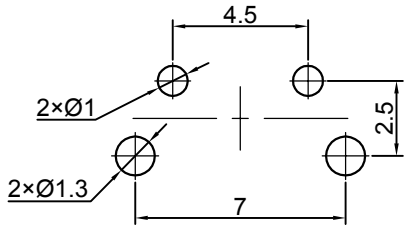


Switch drawings

Dimensional tolerance is ± 0.2mm



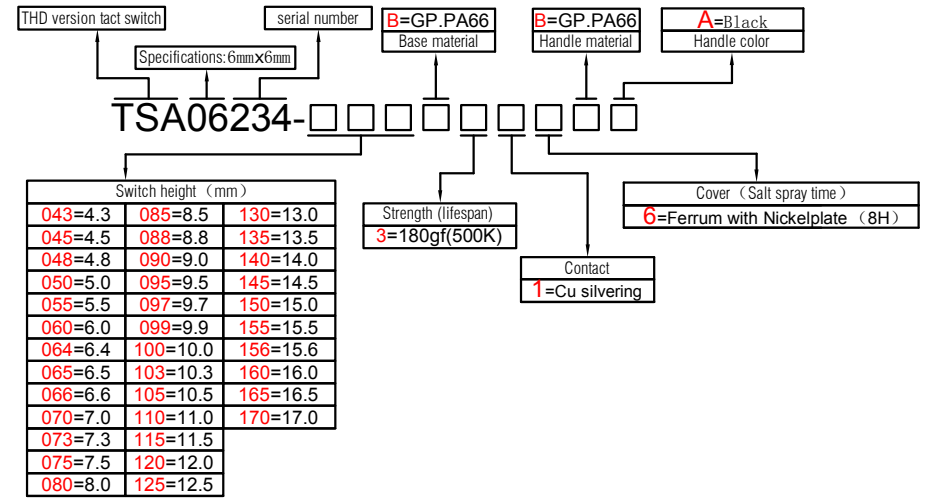
CIRCUIT DIAGRAM



P.C.B. LAYOUT

	L	H-1.15																			
H	4.3	4.5	4.8	5	5.5	6	6.4	6.5	6.6	7	7.3	7.5	8								
A	3.4	3.4	3.4	3.5	3.2	3.2	3	3.2	3.1	3.2	3.2	3.2	3.2								
H	8.5	8.8	9	9.5	9.7	9.9	10	10.3	10.5	11	11.5	12	12.5								
A	3.2	3.1	3.1	3.2	3.1	3.2	3.2	3.2	3	3.1	3.2	3.2	3.1								
H	13	13.5	14	14.5	15	15.5	15.6	16	16.5	17	17										
A	3.2	3	3.2	3.1	3.1	3.2	3.1	3.2	3.2	3.2	2										

Number Description



Switch height (mm)		
043=4.3	085=8.5	130=13.0
045=4.5	088=8.8	135=13.5
048=4.8	090=9.0	140=14.0
050=5.0	095=9.5	145=14.5
055=5.5	097=9.7	150=15.0
060=6.0	099=9.9	155=15.5
064=6.4	100=10.0	156=15.6
065=6.5	103=10.3	160=16.0
066=6.6	105=10.5	165=16.5
070=7.0	110=11.0	170=17.0
073=7.3	115=11.5	
075=7.5	120=12.0	
080=8.0	125=12.5	

SPECIFICATIONS	
Funtion:	Momentary action
Contact Arrangement:	SPST, Normally Open
Termination:	THD version
Environmental	
Operating Temperature:	-25~+70℃
Relative Humidity:	(40℃) ≤70%
Electrical	
Contact Rating:	50mA 12V DC
Dielectric Strength:	250VAC /1min
Contact Resistance:	100mΩMax.
Insulation Resistance:	100MΩMin.
Travel:	0.25±0.1mm
Mechanical	
Actuation Force:	Optional
Life Expectancy:	Optional

Materials	
1.Cover:	Optional
2.Stem:	Optional
3.Contact:	Optional
4.Holder:	Optional
5.Terminal:	Ag plating Au plating

