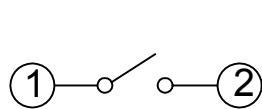
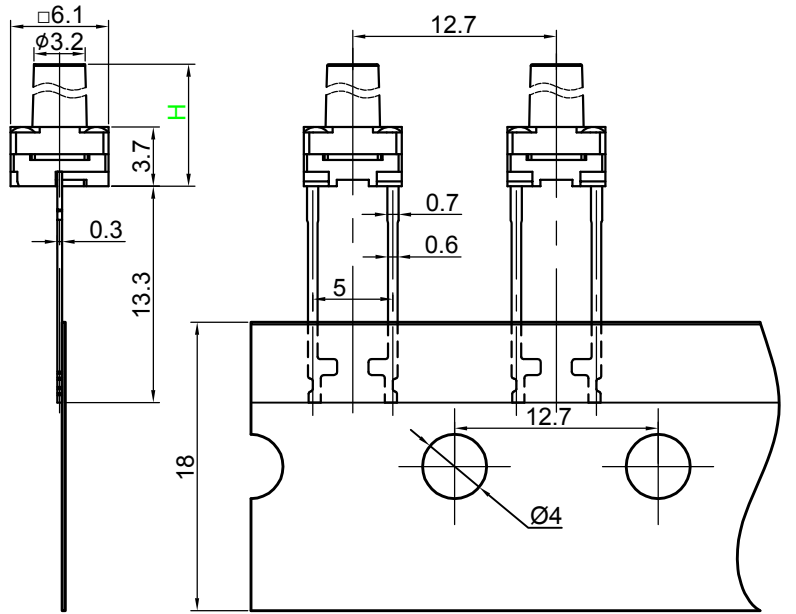




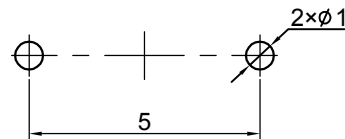
Switch drawings

Dimensional tolerance is ± 0.2mm

Number Description

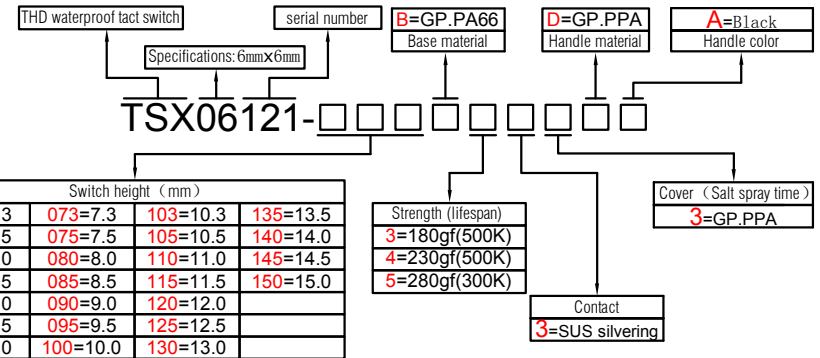


CIRCUIT DIAGRAM



P.C.B. LAYOUT

H	4.3	4.5	5	5.5	6	6.5	7
H	7.3	7.5	8	8.5	9	9.5	10
H	10.3	10.5	11	11.5	12	12.5	13
H	13.5	14	14.5	15			



Switch height (mm)			
043=4.3	073=7.3	103=10.3	135=13.5
045=4.5	075=7.5	105=10.5	140=14.0
050=5.0	080=8.0	110=11.0	145=14.5
055=5.5	085=8.5	115=11.5	150=15.0
060=6.0	090=9.0	120=12.0	
065=6.5	095=9.5	125=12.5	
070=7.0	100=10.0	130=13.0	

SPECIFICATIONS

Funtion:	Momentary action
Contact Arrangement:	SPST, Normally Open
Termination:	THD waterproof

Environmental

Operating Temperature:	-25 ~ +70°C
Relative Humidity:	(40°C) ≤95%

Electrical

Contact Rating:	50mA 12V DC
Dielectric Strength:	250VAC /1min
Contact Resistance:	100mΩMax.
Insulation Resistance:	100MΩMin.
Travel:	0.3±0.1mm

Mechanical

Actuation Force:	Optional
Life Expectancy:	Optional

Materials

1.Stem:	Optional
2.Cover:	Optional
3.Washer:	Nonoptional
4.Contact:	Optional
5.Holder:	Optional
6.Terminal:	Ag plating Au plating

