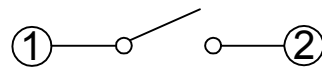
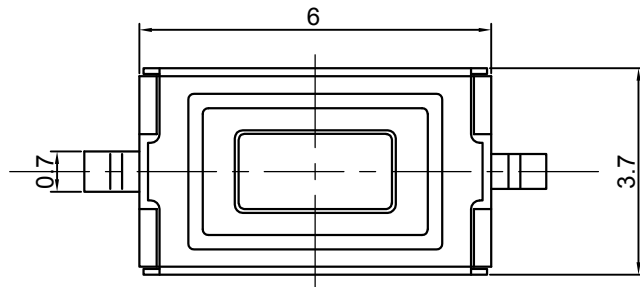
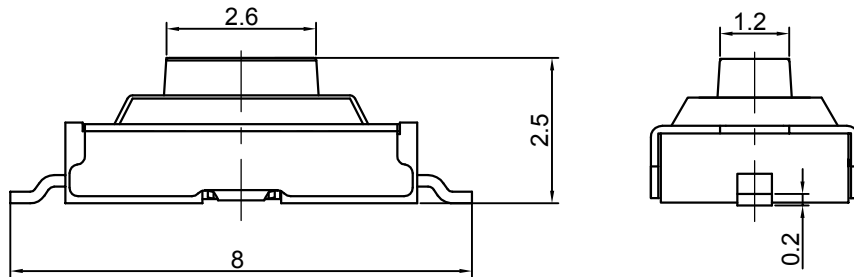




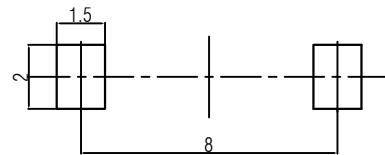
## Switch drawings

Dimensional tolerance is ± 0.2mm

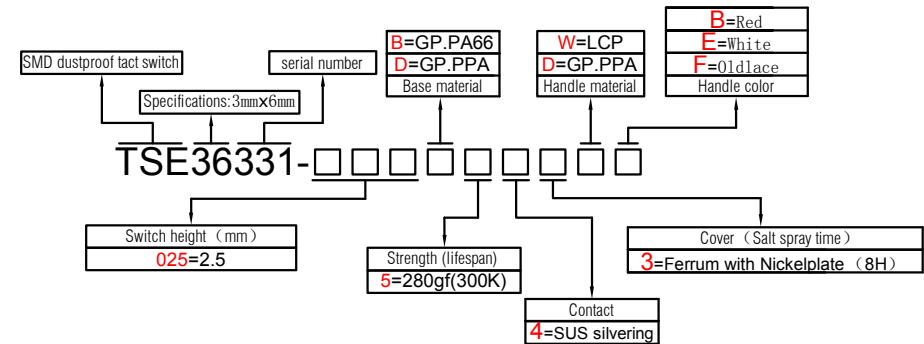
## Number Description



CIRCUIT DIAGRAM



P.C.B. LAYOUT



## SPECIFICATIONS

|                      |                     |
|----------------------|---------------------|
| Funtion:             | Momentary action    |
| Contact Arrangement: | SPST, Normally Open |
| Termination:         | SMD dustproof       |

## Environmental

|                        |            |
|------------------------|------------|
| Operating Temperature: | -25 ~ +70℃ |
| Relative Humidity:     | (40℃) ≤70% |

## Electrical

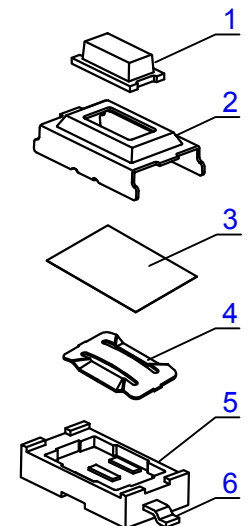
|                        |              |
|------------------------|--------------|
| Contact Rating:        | 50mA 12V DC  |
| Dielectric Strength:   | 250VAC /1min |
| Contact Resistance:    | 100mΩMax.    |
| Insulation Resistance: | 100MΩMin.    |
| Travel:                | 0.2±0.1mm    |

## Mechanical

|                  |          |
|------------------|----------|
| Actuation Force: | Optional |
| Life Expectancy: | Optional |

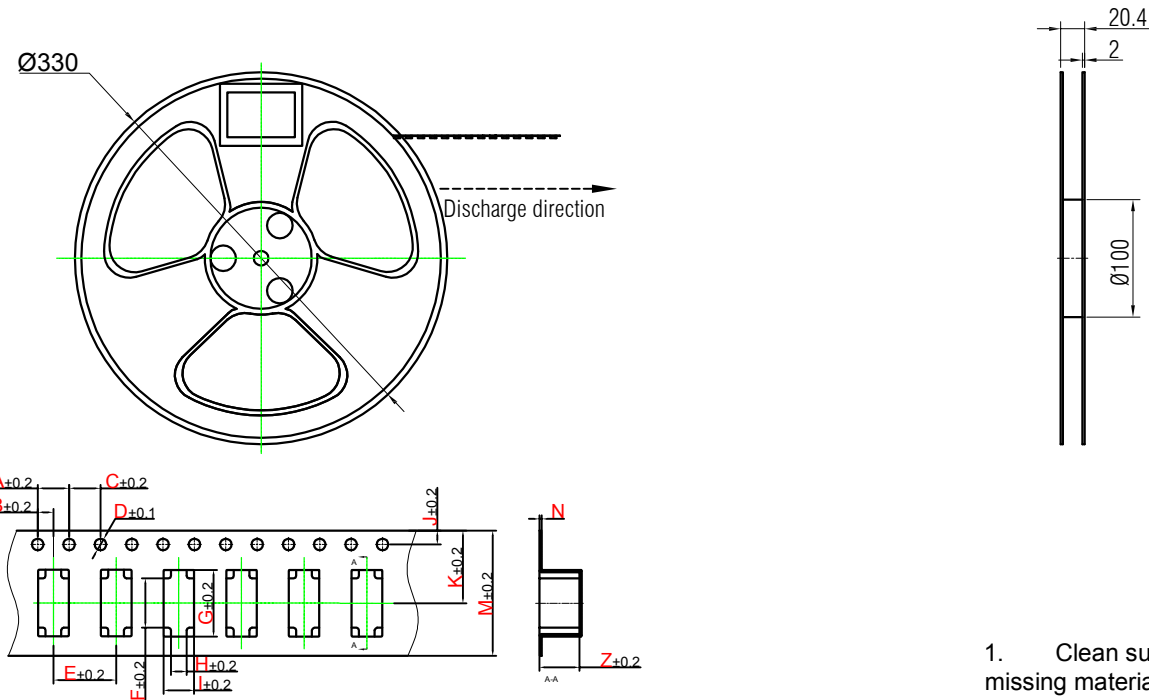
## Materials

|                   |                          |
|-------------------|--------------------------|
| 1.Stem:           | Optional                 |
| 2.Cover:          | Optional                 |
| 3.Dustproof film: | Nonoptional              |
| 4.Contact:        | Optional                 |
| 5.Holder:         | Optional                 |
| 6.Terminal:       | Ag plating<br>Au plating |



## Packaging Specification

standard reel dimensions in mm (not to scale)



| A | B | C | D             | E | F   | G   | H | I   | J    | K    | M  | N   | Z   |
|---|---|---|---------------|---|-----|-----|---|-----|------|------|----|-----|-----|
| 4 | 2 | 4 | $\text{Ø}1.5$ | 8 | 6.3 | 8.5 | 2 | 3.9 | 1.75 | 9.25 | 16 | 0.3 | 2.5 |

|                  |      |
|------------------|------|
| H                | 2.5  |
| package quantity | 3000 |

1. Clean surface, no damage, no foreign matter, missing material, no flash and other defects affecting the use.
2. The material has good toughness and is not easy to break.
3. Cumulative tolerances of 10 sprockets can not exceed  $\pm 0.2\text{mm}$
4. Material Specification: PS Anti-Static Transparent, Thickness 0.5mm
5. In less than 250mm length of T/R does not exceed the maximum bending 1mm, as see below:

