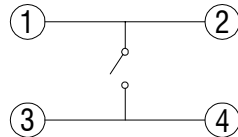
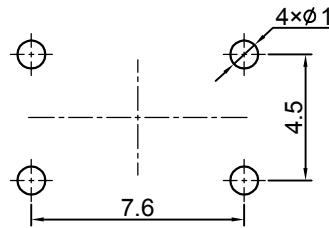
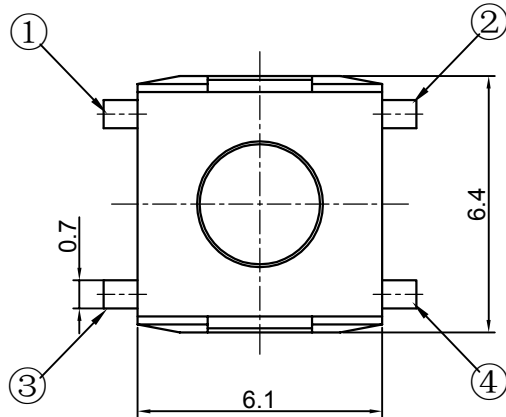
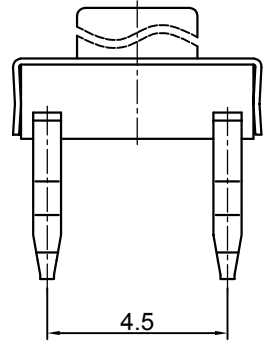
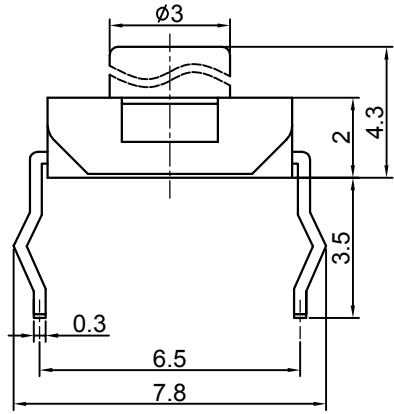




## Switch drawings

Dimensional tolerance is ± 0.2mm

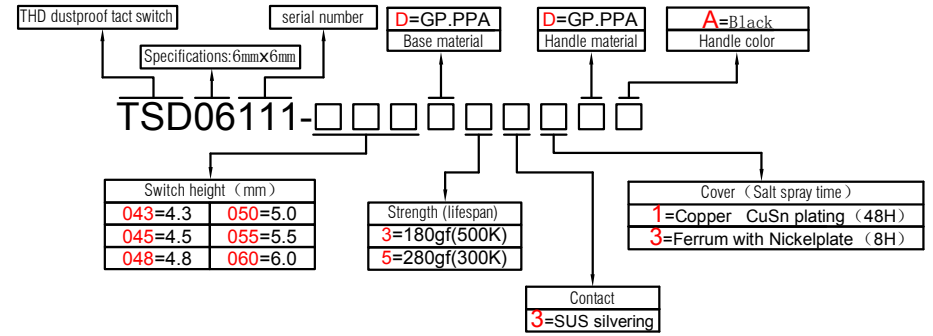
## Number Description



CIRCUIT DIAGRAM

P.C.B. LAYOUT

|          |     |     |     |   |     |   |
|----------|-----|-----|-----|---|-----|---|
| <b>H</b> | 4.3 | 4.5 | 4.8 | 5 | 5.5 | 6 |
|----------|-----|-----|-----|---|-----|---|



## SPECIFICATIONS

|                      |                     |
|----------------------|---------------------|
| Funtion:             | Momentary action    |
| Contact Arrangement: | SPST, Normally Open |
| Termination:         | THD dustproof       |

## Environmental

|                        |              |
|------------------------|--------------|
| Operating Temperature: | -25 ~ +70 °C |
| Relative Humidity:     | (40 °C) ≤70% |

## Electrical

|                        |              |
|------------------------|--------------|
| Contact Rating:        | 50mA 12V DC  |
| Dielectric Strength:   | 250VAC /1min |
| Contact Resistance:    | 100mΩMax.    |
| Insulation Resistance: | 100MΩMin.    |
| Travel:                | 0.25±0.1mm   |

## Mechanical

|                  |          |
|------------------|----------|
| Actuation Force: | Optional |
| Life Expectancy: | Optional |

## Materials

|                   |                          |
|-------------------|--------------------------|
| 1.Stem:           | Optional                 |
| 2.Cover:          | Optional                 |
| 3.Dustproof film: | Nonoptional              |
| 4.Contact:        | Optional                 |
| 5.Holder:         | Optional                 |
| 6.Terminal:       | Ag plating<br>Au plating |

