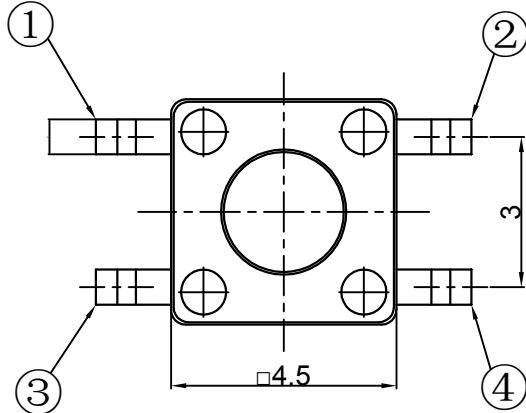
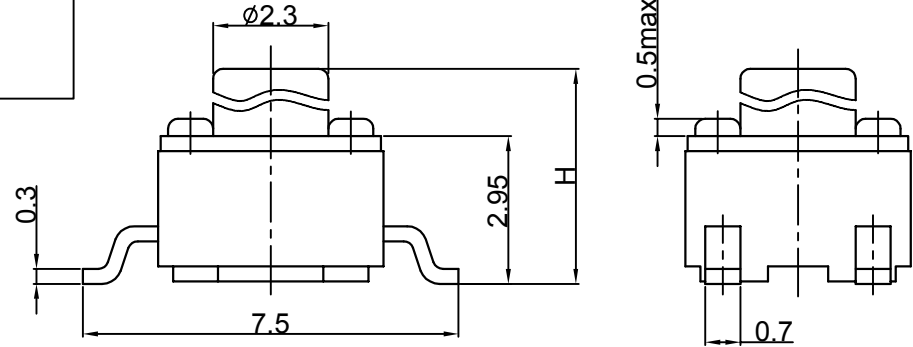
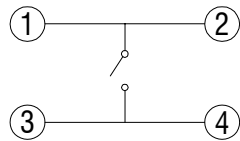


## Switch drawings

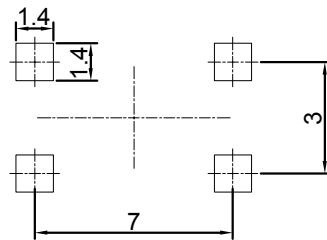
## Number Description



Dimensional tolerance is  $\pm 0.2\text{mm}$

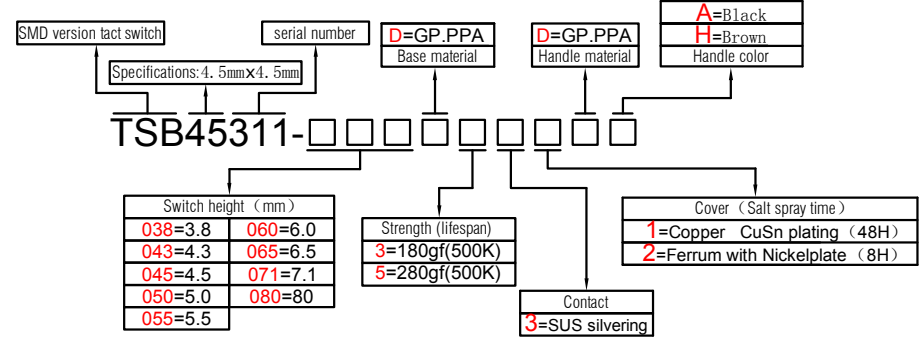


CIRCUIT DIAGRAM



P.C.B. LAYOUT

H	3.8	4.3	4.5	5.0	5.5	6.0	7.1	8.0
---	-----	-----	-----	-----	-----	-----	-----	-----



SPECIFICATIONS	
Function:	Momentary action
Contact Arrangement:	SPST, Normally Open
Termination:	SMD version
Environmental	
Operating Temperature:	-25 ~ +70 °C
Relative Humidity:	(40 °C) ≤70%
Electrical	
Contact Rating:	50mA 12V DC
Dielectric Strength:	250VAC /1min
Contact Resistance:	100mΩMax.
Insulation Resistance:	100MΩMin.
Travel:	0.2±0.1mm
Mechanical	
Actuation Force:	Optional
Life Expectancy:	Optional

Materials	
1.Stem:	Optional
2.Cover:	Optional
3.Contact:	Optional
4.Holder:	Optional
5.Terminal:	Ag plating Au plating

