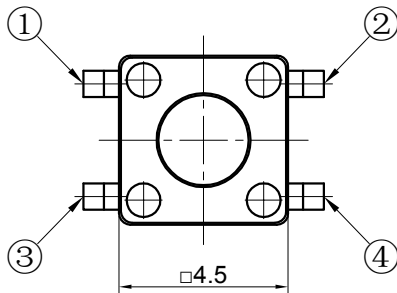
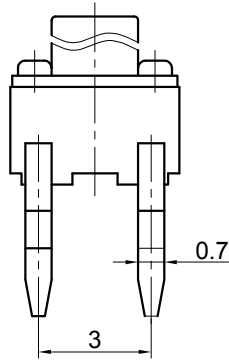
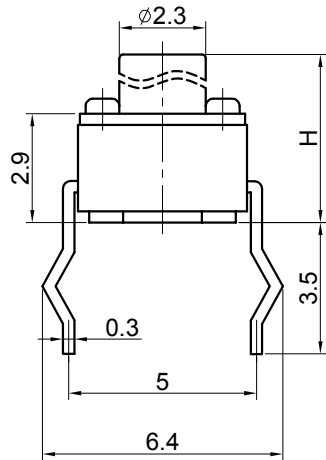




Switch drawings

Number Description



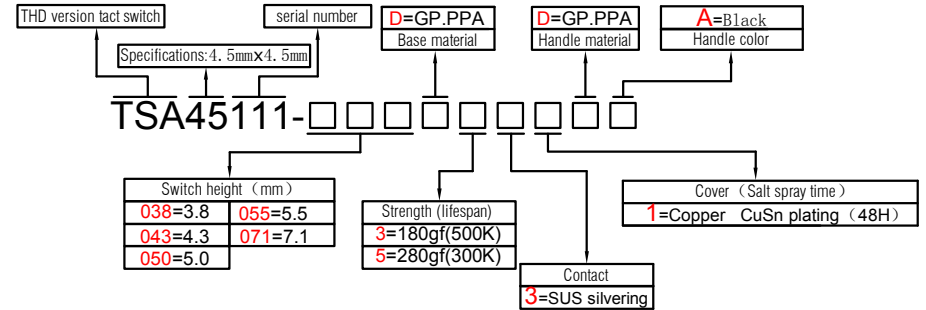
Dimensional tolerance is $\pm 0.2\text{mm}$



CIRCUIT DIAGRAM

P.C.B. LAYOUT

H	3.8	4.3	5	5.5	7.1
---	-----	-----	---	-----	-----



SPECIFICATIONS

Function:	Momentary action
Contact Arrangement:	SPST, Normally Open
Termination:	THD version

Environmental

Operating Temperature:	-25 ~ +70°C
Relative Humidity:	(40°C) $\leq 70\%$

Electrical

Contact Rating:	50mA 12V DC
Dielectric Strength:	250VAC /1min
Contact Resistance:	100mΩMax.
Insulation Resistance:	100MΩMin.
Travel:	0.25 \pm 0.1mm

Mechanical

Actuation Force:	Optional
Life Expectancy:	Optional

Materials

1. Stem:	Optional
2. Cover:	Optional
3. Contact:	Optional
4. Holder:	Optional
5. Terminal:	Ag plating Au plating

