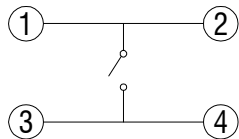
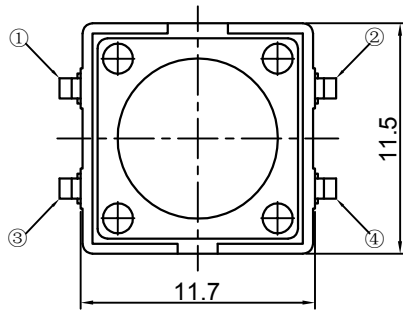
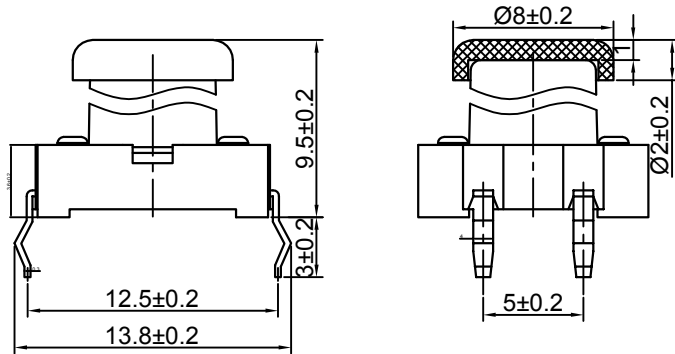




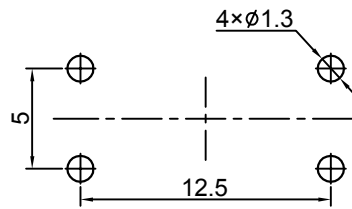
## Switch drawings

Dimensional tolerance is ± 0.2mm

## Number Description

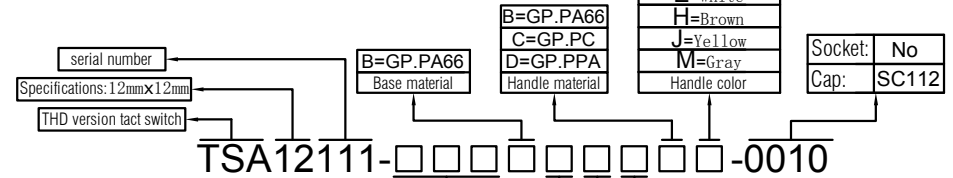


CIRCUIT DIAGRAM



P.C.B. LAYOUT

|   |     |      |     |      |      |      |    |      |
|---|-----|------|-----|------|------|------|----|------|
| H | 7.5 | 8    | 8.5 | 8.7  | 9    | 9.5  | 10 | 10.5 |
| H | 11  | 11.5 | 12  | 12.5 | 13   | 13.5 | 14 | 15   |
| H | 16  | 16.5 | 18  | 19   | 20.7 | 22   |    |      |



| Switch height (mm) |          |          |
|--------------------|----------|----------|
| 075=7.5            | 110=11.0 | 160=16.0 |
| 080=8.0            | 115=11.5 | 165=16.5 |
| 085=8.5            | 120=12.0 | 180=18.0 |
| 087=8.7            | 125=12.5 | 190=19.0 |
| 090=9.0            | 130=13.0 | 207=20.7 |
| 095=9.5            | 135=13.5 | 220=22.0 |
| 100=10.0           | 140=14.0 |          |
| 105=10.5           | 150=15.0 |          |

| Strength (lifespan) |
|---------------------|
| 3=180gf(500K)       |
| 5=280gf(300K)       |
| 6=360gf(100K)       |
| 8=250gf(300K)       |

| Cover (Salt spray time)        |  |
|--------------------------------|--|
| 1=Copper CuSn plating (48H)    |  |
| 2=Ferrum with Nickelplate (8H) |  |
| 3=PET (48H)                    |  |

| Contact         |
|-----------------|
| 1=Cu silvering  |
| 3=SUS silvering |
| 4=SUS silvering |

## SPECIFICATIONS

|                      |                     |
|----------------------|---------------------|
| Funtion:             | Momentary action    |
| Contact Arrangement: | SPST, Normally Open |
| Termination:         | THD version         |

## Environmental

|                        |            |
|------------------------|------------|
| Operating Temperature: | -25~+70℃   |
| Relative Humidity:     | (40℃) ≤70% |

## Electrical

|                        |              |
|------------------------|--------------|
| Contact Rating:        | 50mA 12V DC  |
| Dielectric Strength:   | 250VAC /1min |
| Contact Resistance:    | 100mΩMax.    |
| Insulation Resistance: | 100MΩMin.    |
| Travel:                | 0.25±0.1mm   |

## Mechanical

|                  |          |
|------------------|----------|
| Actuation Force: | Optional |
| Life Expectancy: | Optional |

## Materials

|              |                          |
|--------------|--------------------------|
| 1.Cap:       | Nonoptional              |
| 2.Stem:      | Optional                 |
| 3. Cover:    | Optional                 |
| 4. Contact:  | Optional                 |
| 5. Holder:   | Optional                 |
| 6. Terminal: | Ag plating<br>Au plating |

