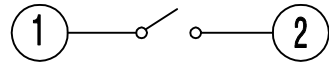
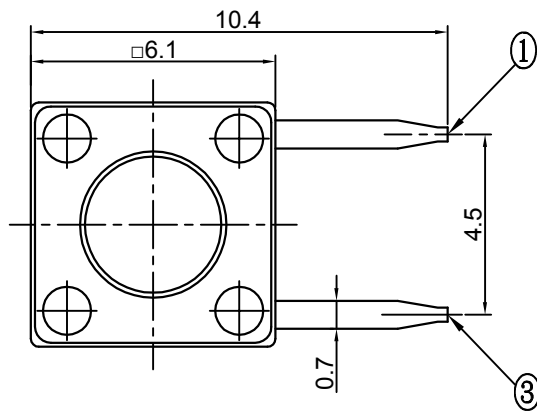
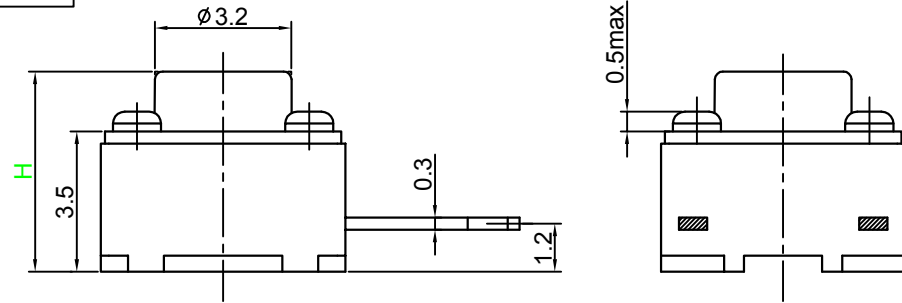
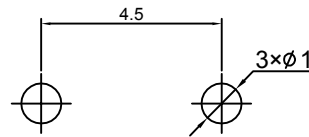


Switch drawings

Dimensional tolerance is ± 0.2mm



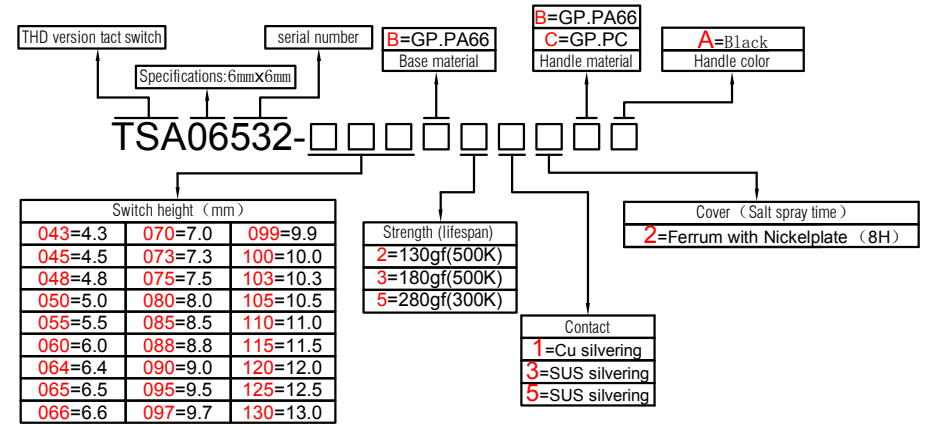
CIRCUIT DIAGRAM



P.C.B. LAYOUT

H	4.3	4.5	4.8	5	5.5	6	6.4	6.5	6.6
H	7	7.3	7.5	8	8.5	8.8	9	9.5	9.7
H	9.9	10	10.3	10.5	11	11.5	12	12.5	13

Number Description



SPECIFICATIONS

Funtion:	Momentary action
Contact Arrangement:	SPST, Normally Open
Termination:	THD version

Environmental

Operating Temperature:	-25 ~ +70 °C
Relative Humidity:	(40 °C) ≤70%

Electrical

Contact Rating:	50mA 12V DC
Dielectric Strength:	250VAC /1min
Contact Resistance:	100mΩMax.
Insulation Resistance:	100MΩMin.
Travel:	0.25±0.1mm

Mechanical

Actuation Force:	Optional
Life Expectancy:	Optional

Materials

1.Cover:	Optional
2.Stem:	Optional
3.Contact:	Optional
4.Holder:	Optional
5.Terminal:	Ag plating Au plating

