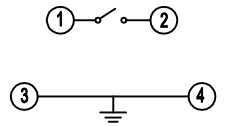
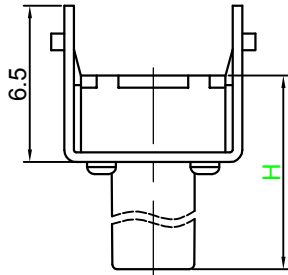
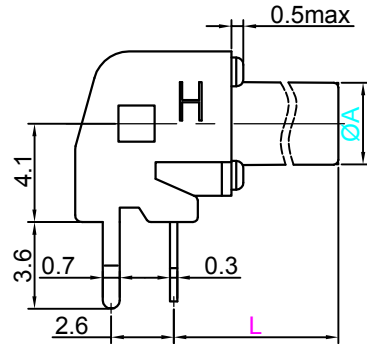
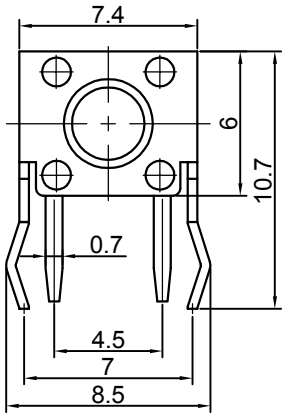
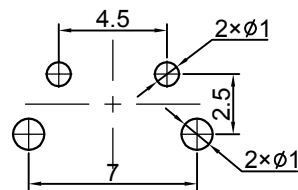




Switch drawings
Dimensional tolerance is $\pm 0.2\text{mm}$



CIRCUIT DIAGRAM

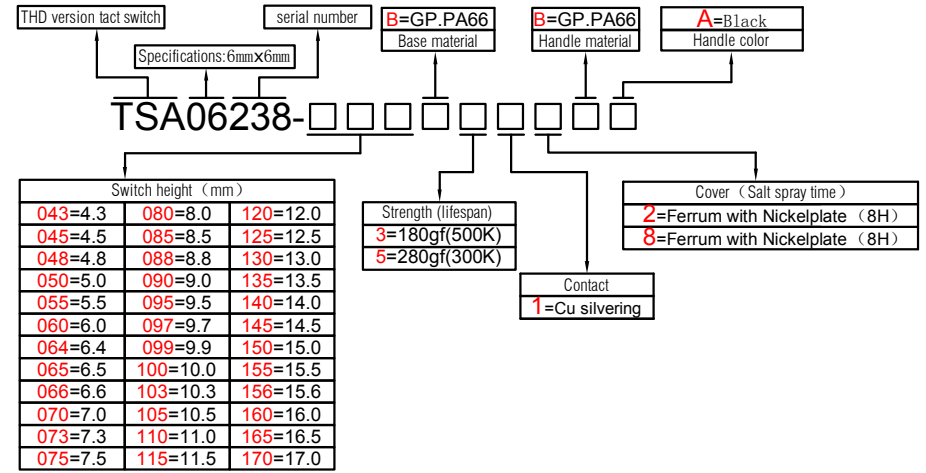


P.C.B. LAYOUT

L	H±1.15
---	--------

H	4.3	4.5	4.8	5	5.5	6	6.4	6.5	6.6	7	7.3	7.5	8
A	3.4	3.4	3.4	3.4	3.2	3.2	3	3.2	3.1	3.2	3.2	3.2	3.2
H	8.5	8.8	9	9.5	9.7	9.9	10	10.3	10.5	11	11.5	12	12.5
A	3.2	3.1	3.1	3.2	3.1	3.2	3.2	3.2	3	3.1	3.2	3.2	3.1
H	13	13.5	14	14.5	15	15.5	16	16.5	17	17			
A	3.2	3	3.2	3.1	3.1	3.2	3.1	3.2	3.2	3.2	2		

Number Description



SPECIFICATIONS	
Funtion:	Momentary action
Contact Arrangement:	SPST, Normally Open
Termination:	THD version
Environmental	
Operating Temperature:	-25 ~ +70 °C
Relative Humidity:	(40 °C) ≤70%
Electrical	
Contact Rating:	50mA 12V DC
Dielectric Strength:	250VAC /1min
Contact Resistance:	100mΩMax.
Insulation Resistance:	100MΩMin.
Travel:	0.25±0.1mm
Mechanical	
Actuation Force:	Optional
Life Expectancy:	Optional

Materials	
1.Cover:	Optional
2.Stem:	Optional
3.Contact:	Optional
4.Holder:	Optional
5.Terminal:	Ag plating Au plating

