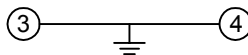
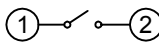
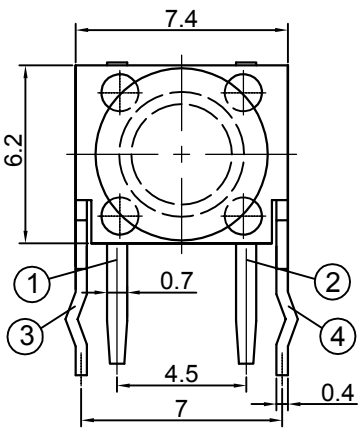
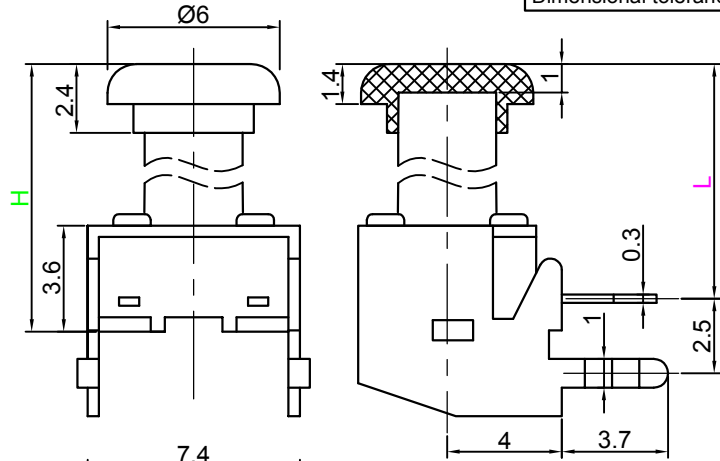
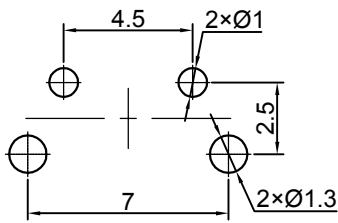


## Switch drawings

Dimensional tolerance is ± 0.2mm



CIRCUIT DIAGRAM



P.C.B. LAYOUT

L H-1.15

H	7	7.3	8.5	8	8.5	8.9	9	9.1	9.5	9.8
H	10	10.5	11	11.3	11.5	12	12.2	12.4	12.5	12.8
H	13	13.5	14	14.5	15	15.5	16	16.5	17	

## Number Description

serial number: Specifications: 6mmx6mm THD version tact switch

Base material: B=GP.PA66

Handle material: B=GP.PA66, C=GP.PC, D=GP.PPA

Handle color: A=Black, B=Red, H=Brown, N=Transparent

Socket: No, Cap: SC114

**TSA06231-□□□□□□□□-0030**

Switch height (mm)		
070=7.0	100=10.0	130=13.0
073=7.3	105=10.5	135=13.5
075=7.5	110=11.0	140=14.0
080=8.0	113=11.3	145=14.5
085=8.5	115=11.5	150=15.0
089=8.9	120=12.0	155=15.5
090=9.0	122=12.2	160=16.0
091=9.1	124=12.4	165=16.5
095=9.5	125=12.5	170=17.0
098=9.8	128=12.8	

Strength (lifespan): 3=180gf(500K), 5=280gf(300K)

Cover (Salt spray time): 2=Ferrum with Nickelplate (8H)

Contact: 1=Cu silvering, 3=SUS silvering

## SPECIFICATIONS

Function:	Momentary action
Contact Arrangement:	SPST, Normally Open
Termination:	THD version

## Environmental

Operating Temperature:	-25~+70°C
Relative Humidity:	(40°C) ≤70%

## Electrical

Contact Rating:	50mA 12V DC
Dielectric Strength:	250VAC /1min
Contact Resistance:	100mΩMax.
Insulation Resistance:	100MΩMin.
Travel:	0.25±0.1mm

## Mechanical

Actuation Force:	Optional
Life Expectancy:	Optional

## Materials

1.Cap:	Nonoptional
2.Stem:	Optional
3.Cover:	Optional
4.Contact:	Optional
5.Holder:	Optional
6.Terminal:	Ag plating Au plating

