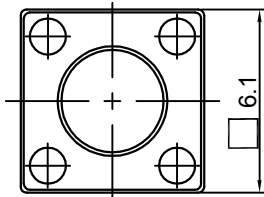
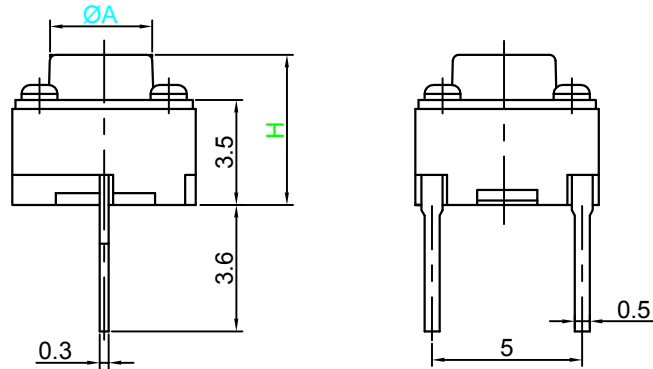
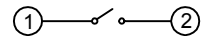




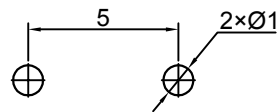
## Switch drawings



Dimensional tolerance is ± 0.2mm



CIRCUIT DIAGRAM



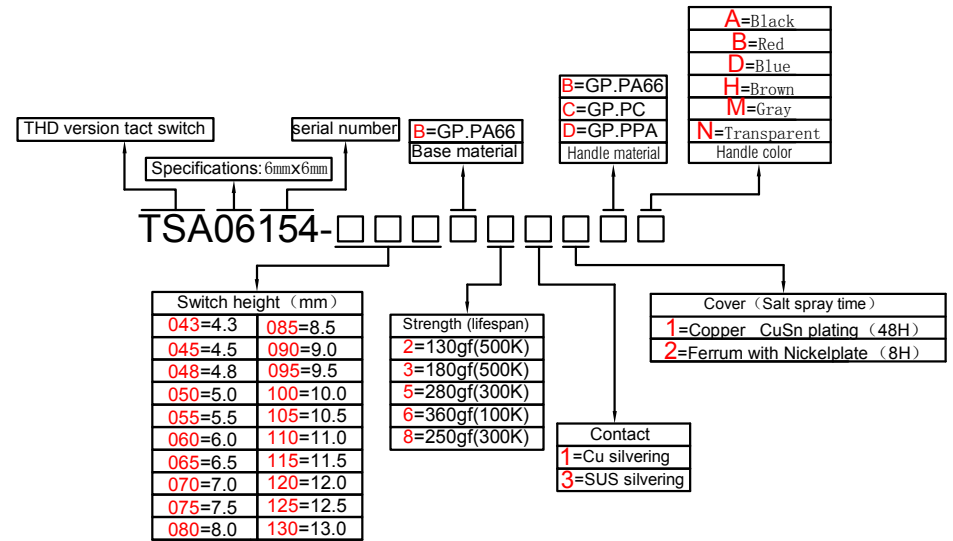
P.C.B. LAYOUT

H	4.3	4.5	4.8	5.0	5.5	6.0	6.5	7.0	7.5	8.0
A	3.4	3.4	3.4	3.4	3.2	3.2	3.2	3.2	3.2	3.2
H	8.5	9.0	9.5	10.0	10.5	11.0	11.5	12.0	12.5	13.0
A	3.2	3.1	3.2	3.2	3.2	3.1	3.2	3.2	3.1	3.2

## Number Description



Professional Manufacturer Since 2000



## SPECIFICATIONS

Function:	Momentary action
Contact Arrangement:	SPST, Normally Open
Termination:	THD version

## Environmental

Operating Temperature:	-25~+70°C
Relative Humidity:	(40°C) ≤70%

## Electrical

Contact Rating:	50mA 12V DC
Dielectric Strength:	250VAC /1min
Contact Resistance:	100mΩMax.
Insulation Resistance:	100MΩMin.
Travel:	0.25±0.1mm

## Mechanical

Actuation Force:	Optional
Life Expectancy:	Optional

## Materials

1.Stem:	Optional
2.Cover:	Optional
3.Contact:	Optional
4.Holder:	Optional
5.Terminal:	Ag plating Au plating

