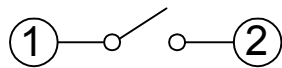
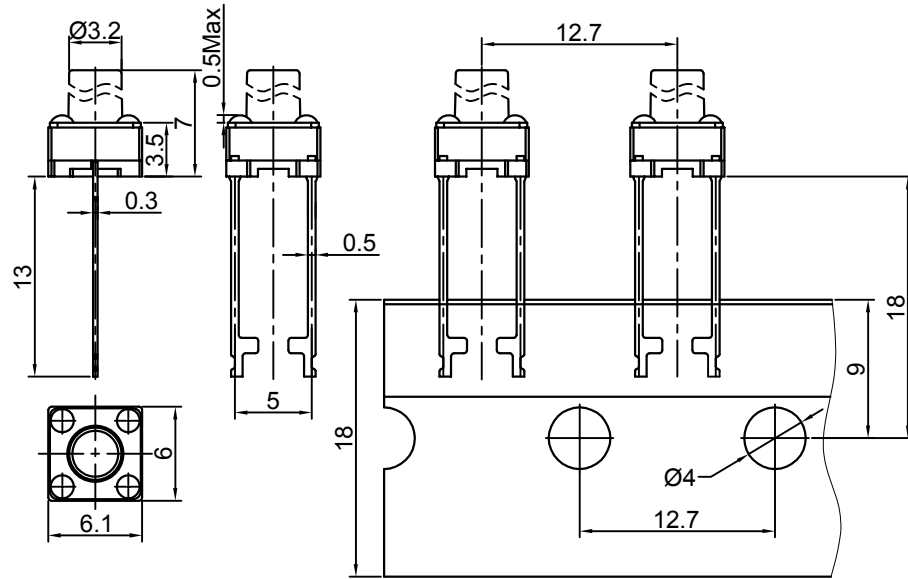


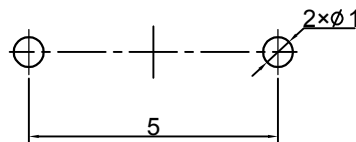
Switch drawings

Dimensional tolerance is ± 0.2mm

Number Description

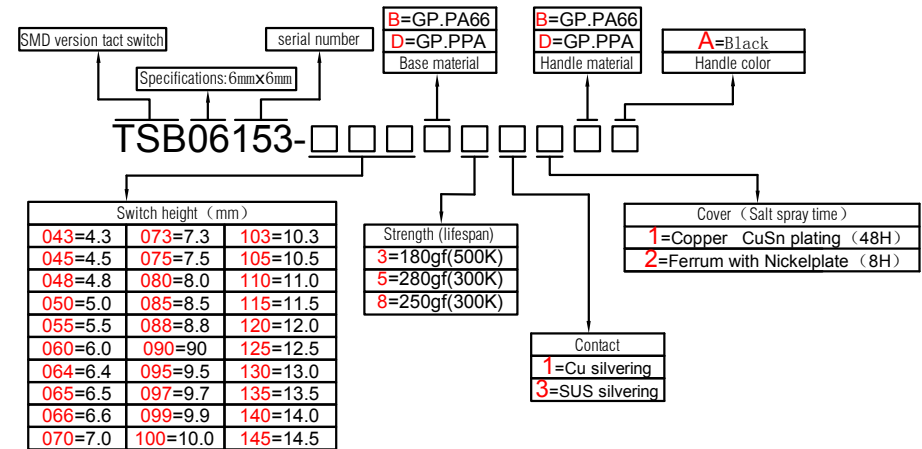


CIRCUIT DIAGRAM



P.C.B. LAYOUT

H	4.3	4.5	4.8	5.0	5.5	6.0	6.4	6.5	6.6	7.0
H	7.3	7.5	8.0	8.5	8.8	9.0	9.5	9.7	9.9	10
H	10.3	10.5	11.0	11.5	12.0	12.5	13.0	13.5	14.0	14.5



SPECIFICATIONS

Function:	Momentary action
Contact Arrangement:	SPST, Normally Open
Termination:	SMD version

Environmental

Operating Temperature:	-25~+70°C
Relative Humidity:	(40°C) ≤70%

Electrical

Contact Rating:	50mA 12V DC
Dielectric Strength:	250VAC /1min
Contact Resistance:	100mΩMax.
Insulation Resistance:	100MΩMin.
Travel:	0.25±0.1mm

Mechanical

Actuation Force:	Optional
Life Expectancy:	Optional

Materials

1.Cover:	Optional
2.Stem:	Optional
3.Contact:	Optional
4.Holder:	Optional
5.Terminal:	Ag plating Au plating

