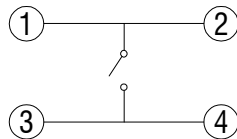
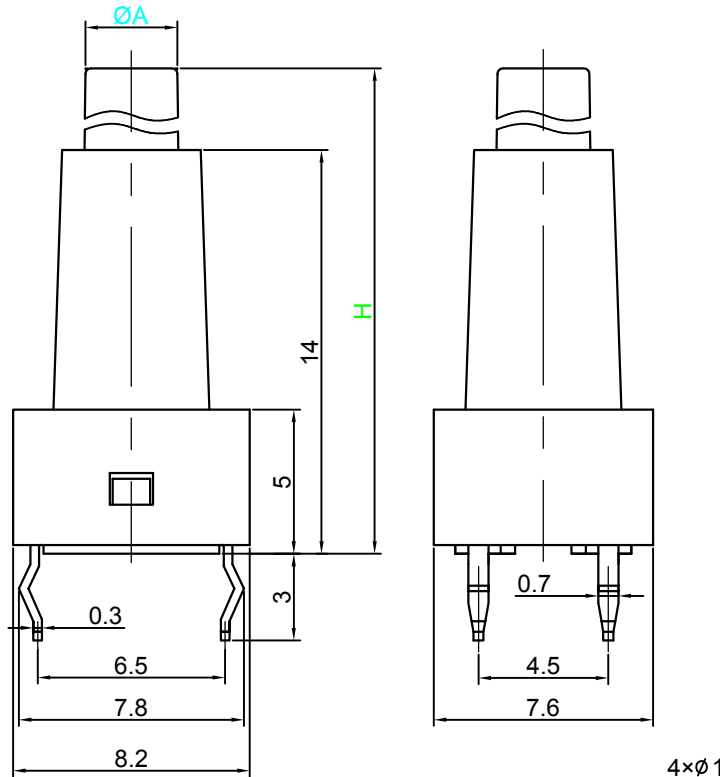




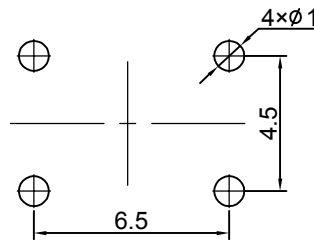
Switch drawings

Number Description

Dimensional tolerance is $\pm 0.2\text{mm}$

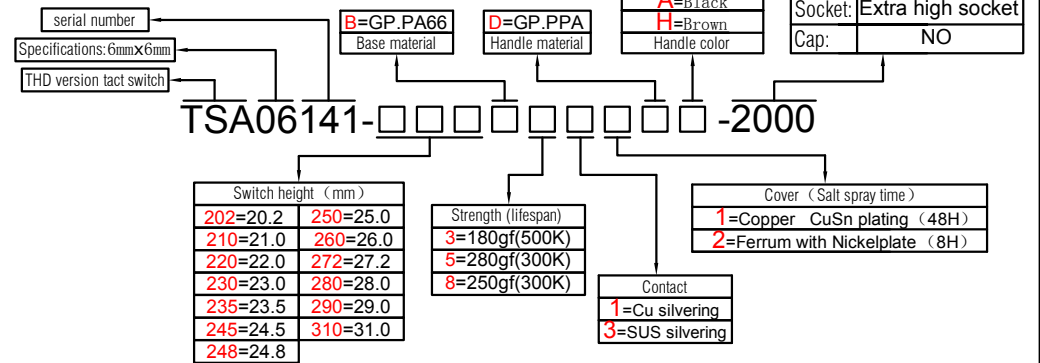


CIRCUIT DIAGRAM



P.C.B. LAYOUT

H	20.2	21	22	23	23.5	24.5	24.8	25	26	27.2	28	29	31
A	3.2	3.1	3.2	3.1	3.2	3	3.1	3	3.2	3	2.9	3	3.1



SPECIFICATIONS

Funtion:	Momentary action
Contact Arrangement:	SPST, Normally Open
Termination:	THD version

Environmental

Operating Temperature:	-25 ~ +70°C
Relative Humidity:	(40°C) ≤70%

Electrical

Contact Rating:	50mA 12V DC
Dielectric Strength:	250VAC /1min
Contact Resistance:	100mΩMax.
Insulation Resistance:	100MΩMin.
Travel:	0.25±0.1mm

Mechanical

Actuation Force:	Optional
Life Expectancy:	Optional

Materials

1.Socket :	Nonoptional
2.Stem:	Optional
3. Cover:	Optional
4. Contact:	Optional
5. Holder:	Optional
6. Terminal:	Ag plating Au plating

