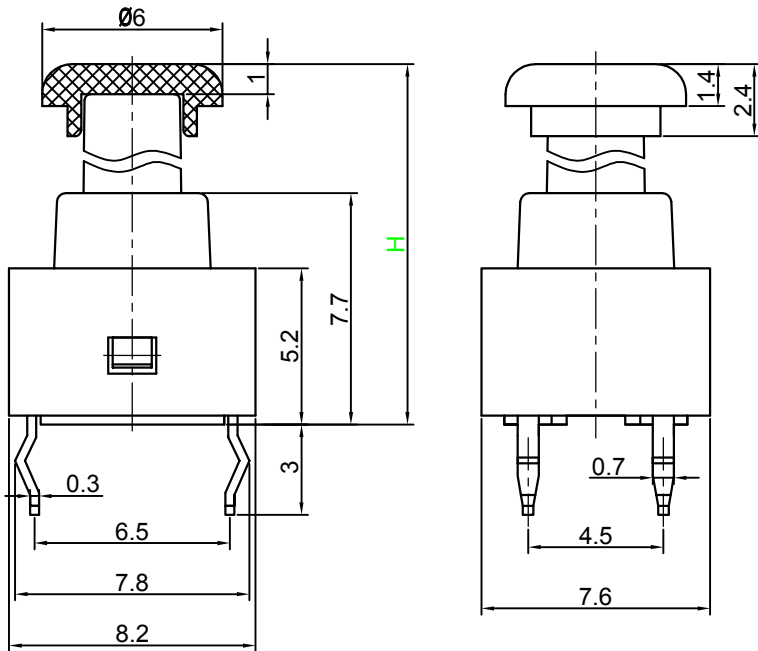
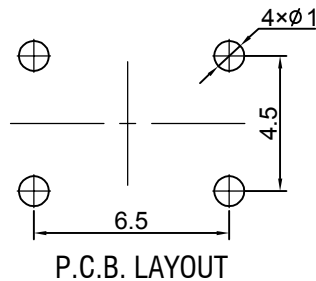
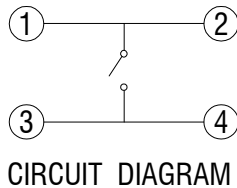




Switch drawings

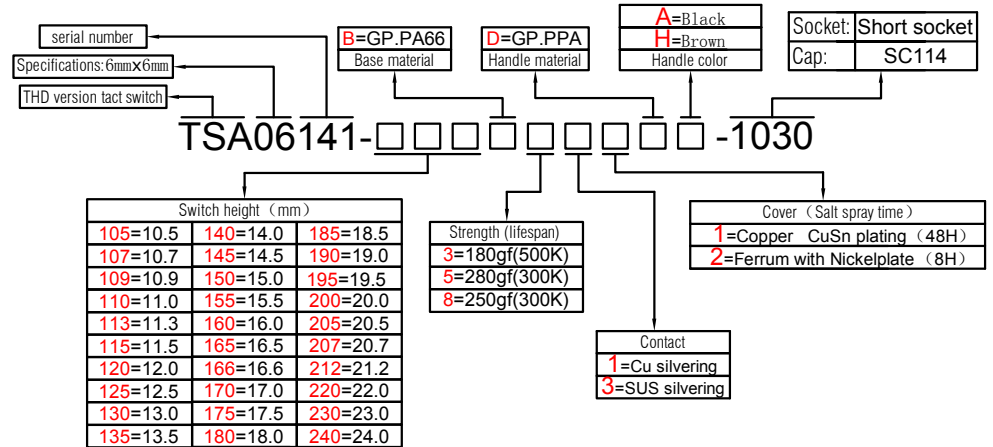


Dimensional tolerance is ± 0.2mm



H	10.5	10.7	10.9	11	11.3	11.5	12	12.5	13	13.5
H	14	14.5	15	15.5	16	16.5	16.6	17	17.5	18
H	18.5	19	19.5	20	20.5	20.7	21.2	22	23	24

Number Description



SPECIFICATIONS

Function:	Momentary action
Contact Arrangement:	SPST, Normally Open
Termination:	THD version

Environmental

Operating Temperature:	-25 ~ +70 °C
Relative Humidity:	(40 °C) ≤70%

Electrical

Contact Rating:	50mA 12V DC
Dielectric Strength:	250VAC /1min
Contact Resistance:	100mΩMax.
Insulation Resistance:	100MΩMin.
Travel:	0.25±0.1mm

Mechanical

Actuation Force:	Optional
Life Expectancy:	Optional

Materials

1.Cap :	Nonoptional
2.Socket :	Nonoptional
3.Stem:	Optional
4.Cover:	Optional
5.Contact:	Optional
6.Holder:	Optional
7.Terminal:	Ag plating Au plating

