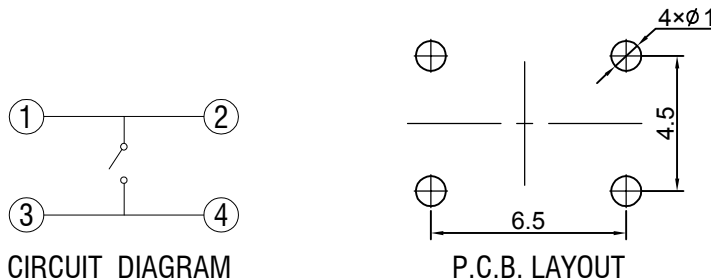


Dimensional tolerance is ± 0.2mm



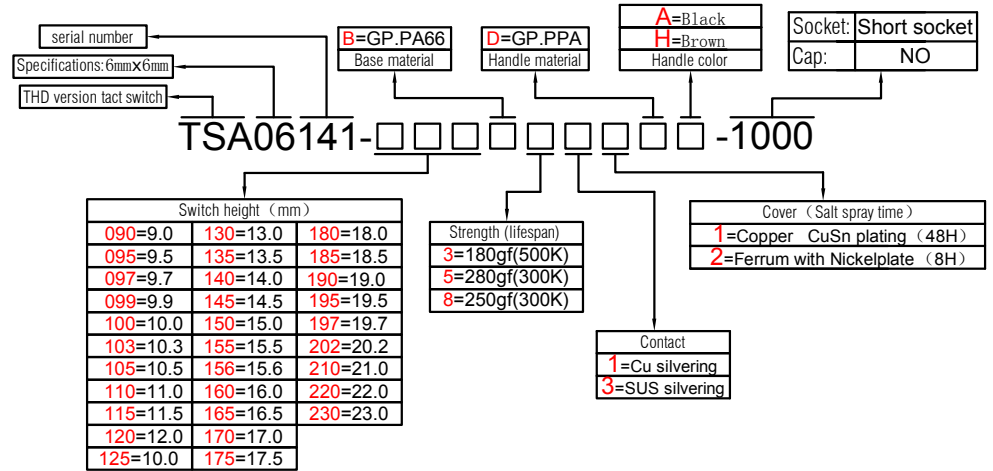
CIRCUIT DIAGRAM

P.C.B. LAYOUT

H	9	9.5	9.7	9.9	10	10.3	10.5	11	11.5	12	12.5
A	3.1	3.2	3.1	3.2	3.2	3.2	3	3.1	3.2	3.2	3.1
H	13	13.5	14	14.5	15	15.5	15.6	16	16.5	17	17
A	3.2	3	3.2	3.1	3.1	3.2	3.1	3.2	3.2	3.2	2
H	17.5	18	18.5	19	19.5	19.7	20.2	21	22	23	
A	3	3.2	3	3.1	3	3	3.2	3.1	3.2	3.1	

Switch drawings

Number Description



SPECIFICATIONS

Funtion:	Momentary action
Contact Arrangement:	SPST, Normally Open
Termination:	THD version

Environmental

Operating Temperature:	-25 ~ +70 °C
Relative Humidity:	(40 °C) ≤70%

Electrical

Contact Rating:	50mA 12V DC
Dielectric Strength:	250VAC /1min
Contact Resistance:	100mΩMax.
Insulation Resistance:	100MΩMin.
Travel:	0.25±0.1mm

Mechanical

Actuation Force:	Optional
Life Expectancy:	Optional

Materials

1.Socket :	Nonoptional
2.Stem:	Optional
3. Cover:	Optional
4. Contact:	Optional
5. Holder:	Optional
6. Terminal:	Ag plating Au plating

