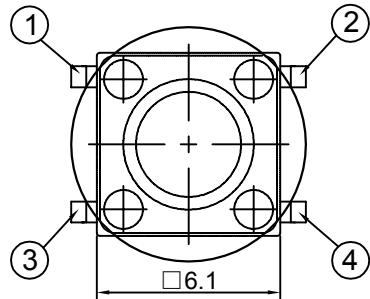
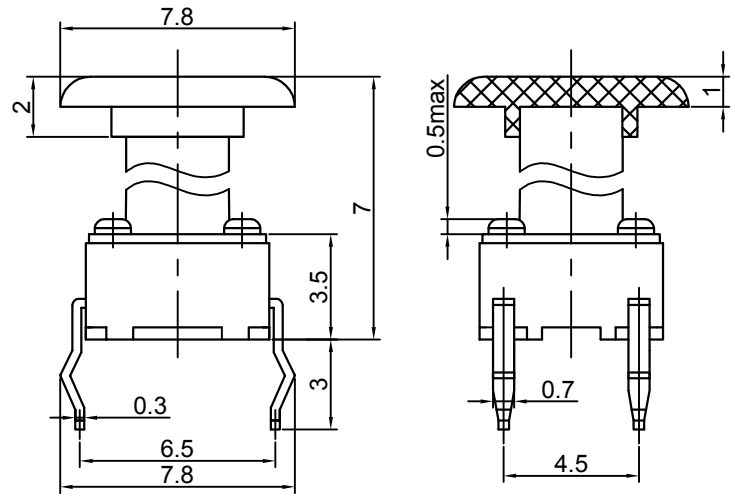


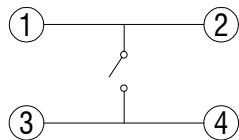


Switch drawings

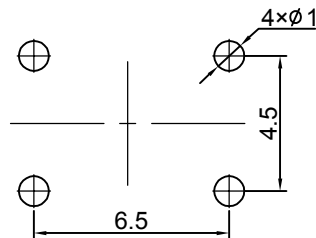
Number Description



Dimensional tolerance is $\pm 0.2\text{mm}$



CIRCUIT DIAGRAM



P.C.B. LAYOUT

H	7	7.4	7.5	7.6	8	8.3	8.5	9	9.5	9.8	10	10.5
H	10.7	10.9	11	11.3	11.5	12	12.5	13	13.5	14	14.5	15
H	15.5	16	16.5	16.6	17	17.5	18	18	18.5	19	19.5	20
H	20.5	20.7	21.2	22	23	24	24.5	25.5	25.8	26	27	

serial number: _____
 Specifications: 6mmx6mm
 THD version tact switch

Base material: B=GP.PA66, C=GP.PC, D=GP.PPA
 Handle material: B=GP.PA66, C=GP.PC, D=GP.PPA
 Handle color: A=Black, B=Red, H=Brown, N=Transparent

Socket: No
 Cap: SC116

TSA06131-□□□□□□□□-0060

Switch height (mm)			
070=7.0	107=10.7	155=15.5	207=20.7
074=7.4	109=10.9	160=16.0	212=21.2
075=7.5	110=11.0	165=16.5	220=22.0
076=7.6	113=11.3	166=16.6	230=23.0
080=8.0	115=11.5	170=17.0	240=24.0
083=8.3	120=12.0	175=17.5	245=24.5
085=8.5	125=12.5	180=18.0	255=25.5
090=9.0	130=13.0	185=18.5	258=25.8
095=9.5	135=13.5	190=19.0	260=26.0
098=9.7	140=14.0	195=19.5	270=27.0
100=10.0	145=14.5	200=20.0	
105=10.5	150=15.0	205=20.5	

Strength (lifespans): 2=130gf(500K), 3=180gf(500K), 5=280gf(300K), 6=360gf(100K), 8=250gf(300K)

Contact: 1=Cu silvering, 3=SUS silvering

Cover (Salt spray time): 1=Copper CuSn plating (48H), 2=Ferrum with Nickelplate (8H), 3=PET (48H)

SPECIFICATIONS	
Funtion:	Momentary action
Contact Arrangement:	SPST, Normally Open
Termination:	THD version
Environmental	
Operating Temperature:	-25~+70℃
Relative Humidity:	(40℃) ≤70%
Electrical	
Contact Rating:	50mA 12V DC
Dielectric Strength:	250VAC /1min
Contact Resistance:	100mΩMax.
Insulation Resistance:	100MΩMin.
Travel:	0.25±0.1mm
Mechanical	
Actuation Force:	Optional
Life Expectancy:	Optional

Materials	
1.Cap:	Nonoptional
2.Cover:	Optional
3. Stem:	Optional
4. Contact:	Optional
5. Holder:	Optional
6. Terminal:	Ag plating Au plating

