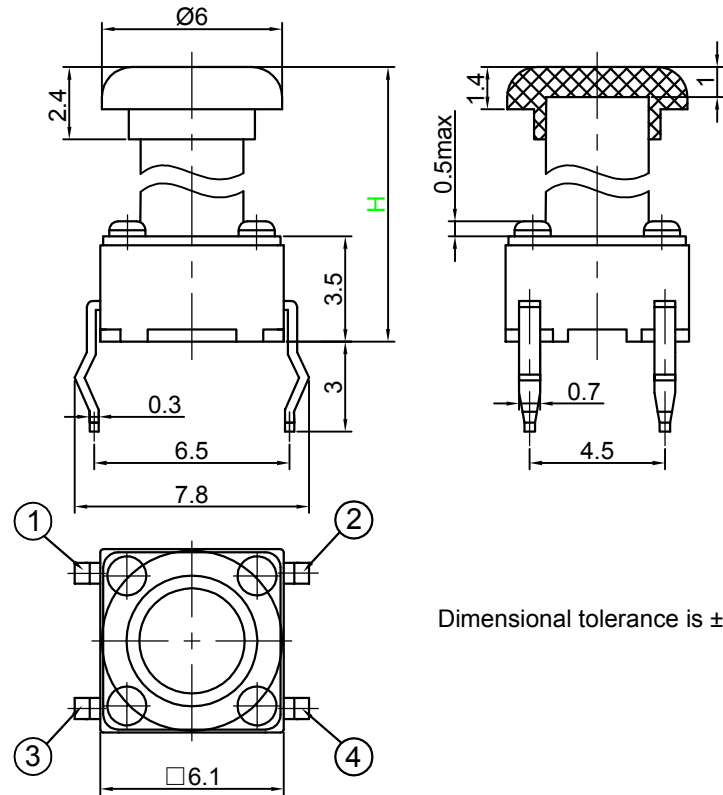


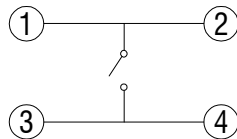


## Switch drawings

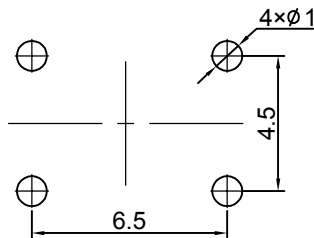
## Number Description



Dimensional tolerance is ± 0.2mm



CIRCUIT DIAGRAM



P.C.B. LAYOUT

H	7	7.4	7.5	7.6	8	8.3	8.5	9	9.5	9.8	10	10.5
H	10.7	10.9	11	11.3	11.5	12	12.5	13	13.5	14	14.5	15
H	15.5	16	16.5	16.6	17	17.5	18	18	18.5	19	19.5	20
H	20.5	20.7	21.2	22	23	24	24.5	25.5	25.8	26	27	

serial number  
Specifications: 6mmx6mm  
THD version tact switch

B=GP.PA66  
C=GP.PC  
D=GP.PPA  
Base material

B=GP.PA66  
C=GP.PC  
D=GP.PPA  
Handle material

A=Black  
B=Red  
H=Brown  
N=Transparent  
Handle color

Socket: No  
Cap: SC114

**TSA06131-□□□□□□□□-0030**

Switch height (mm)			
070=7.0	107=10.7	155=15.5	207=20.7
074=7.4	109=10.9	160=16.0	212=21.2
075=7.5	110=11.0	165=16.5	220=22.0
076=7.6	113=11.3	166=16.6	230=23.0
080=8.0	115=11.5	170=17.0	240=24.0
083=8.3	120=12.0	175=17.5	245=24.5
085=8.5	125=12.5	180=18.0	255=25.5
090=9.0	130=13.0	185=18.5	258=25.8
095=9.5	135=13.5	190=19.0	260=26.0
098=9.7	140=14.0	195=19.5	270=27.0
100=10.0	145=14.5	200=20.0	
105=10.5	150=15.0	205=20.5	

Strength (lifespan)  
2=130gf(500K)  
3=180gf(500K)  
5=280gf(300K)  
6=360gf(100K)  
8=250gf(300K)

Contact  
1=Cu silvering  
3=SUS silvering

Cover (Salt spray time)  
1=Copper CuSn plating (48H)  
2=Ferrum with Nickelplate (8H)  
3=PET (48H)

## SPECIFICATIONS

Funtion:	Momentary action
Contact Arrangement:	SPST, Normally Open
Termination:	THD version

## Environmental

Operating Temperature:	-25 ~ +70 °C
Relative Humidity:	(40 °C) ≤70%

## Electrical

Contact Rating:	50mA 12V DC
Dielectric Strength:	250VAC /1min
Contact Resistance:	100mΩMax.
Insulation Resistance:	100MΩMin.
Travel:	0.25±0.1mm

## Mechanical

Actuation Force:	Optional
Life Expectancy:	Optional

## Materials

1.Cap:	Nonoptional
2.Stem:	Optional
3. Cover:	Optional
4. Contact:	Optional
5. Holder:	Optional
6. Terminal:	Ag plating Au plating

