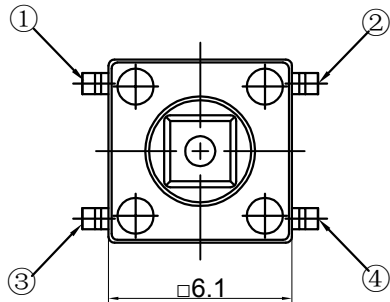
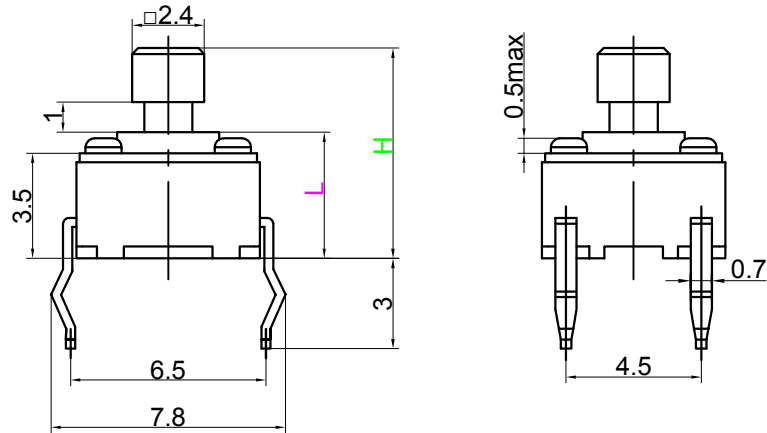
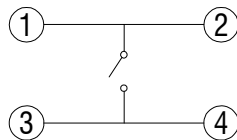




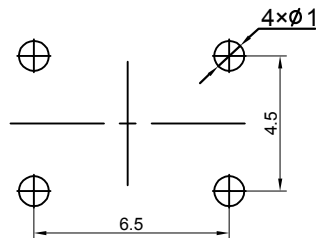
## Switch drawings



Dimensional tolerance is  $\pm 0.2\text{mm}$



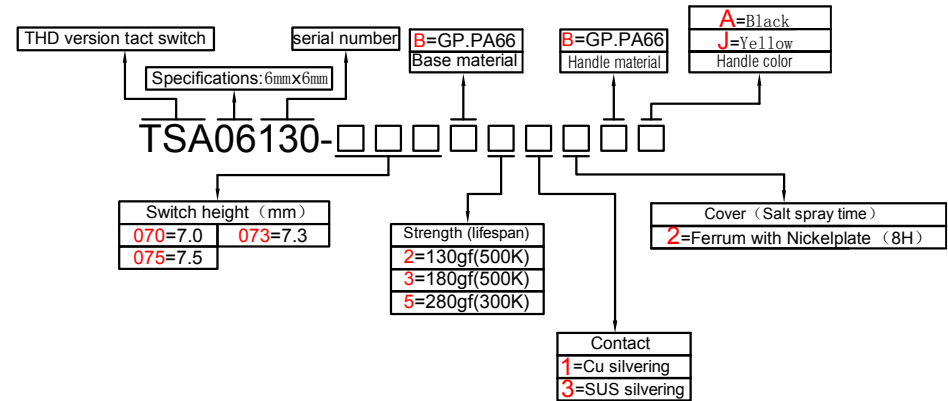
CIRCUIT DIAGRAM



P.C.B. LAYOUT

H	7	7.3	7.5
L	4.2	4.5	4.7

## Number Description



## SPECIFICATIONS

Function:	Momentary action
Contact Arrangement:	SPST, Normally Open
Termination:	THD version

## Environmental

Operating Temperature:	-25~+70°C
Relative Humidity:	(40°C) $\leq 70\%$

## Electrical

Contact Rating:	50mA 12V DC
Dielectric Strength:	250VAC /1min
Contact Resistance:	100mΩMax.
Insulation Resistance:	100MΩMin.
Travel:	0.25±0.1mm

## Mechanical

Actuation Force:	Optional
Life Expectancy:	Optional

## Materials

1.Stem:	Optional
2.Cover:	Optional
3.Contact:	Optional
4.Holder:	Optional
5.Terminal:	Ag plating Au plating

